

REVISIONS		
NAME	DATE	NOTES
1		
2		
3		
4		
5		
6		
7		
8		

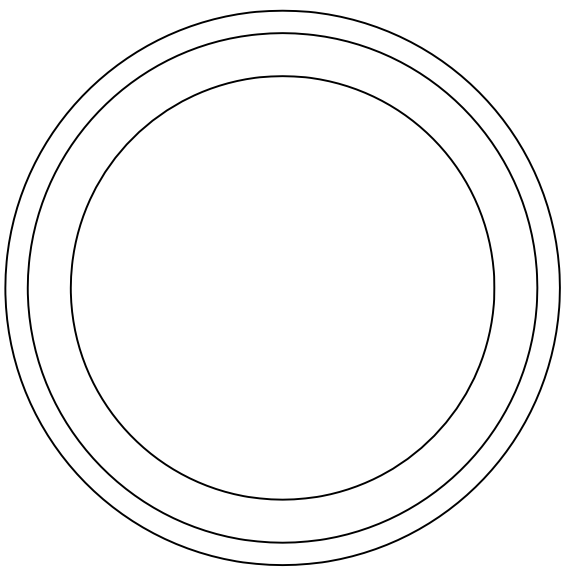
THESE DRAWING, SPECIFICATIONS AND OTHER ACCOMPANYING ITEMS ARE THE CONFIDENTIAL AND PROPRIETARY PROPERTY OF MAUSAU TILE, INC. THE DRAWINGS HEREON SHALL BELONG TO THE OWNER OF THE PROJECT AND SHALL NOT BE REPRODUCED OR COPIED IN ANY MANNER WITHOUT THE PRIOR WRITTEN APPROVAL OF MAUSAU TILE, INC. THE PROPRIETARY INFORMATION CONTAINED HEREIN IS THE BUSINESS AND THE SOLE PROPERTY OF MAUSAU TILE, INC.

JOB NAME _____
 ADDRESS _____
 CITY, STATE ZIP _____

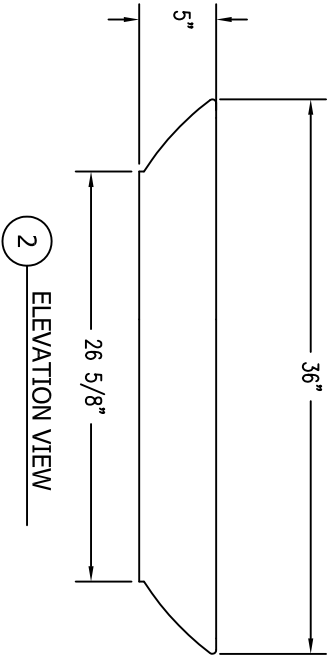
UNLESS OTHERWISE SPECIFIED
 DIMENSIONS ARE IN INCHES
 FINISHES 3/16"

DRAWN BY: SK
 DATE: 8/6/15
 CD NUMBER: 7
 WEIGHT: 239 LBS

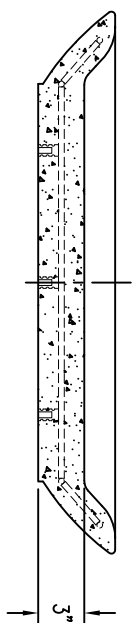
PRODUCT NO.
TF 4148



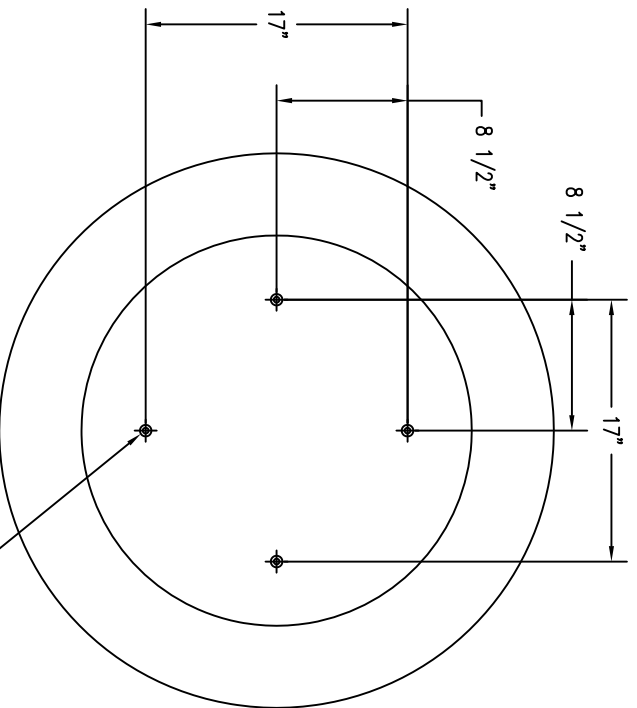
1 TOP VIEW



2 ELEVATION VIEW



4 CROSS SECTION



3 BOTTOM VIEW

3/8" STAINLESS THREADED
 INSERT (4) REQ'D