

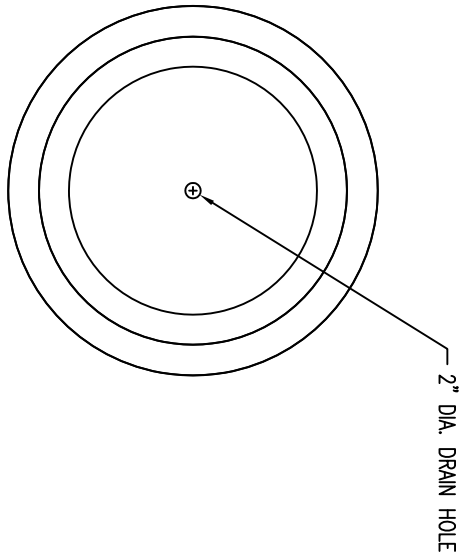


P.O. BOX 1520 WAUSAU, WI 54402-1520
 E-MAIL: WATERMAN@TILE.COM
 WEB SITE: WWW.MAUSAUTILE.COM

REVISIONS

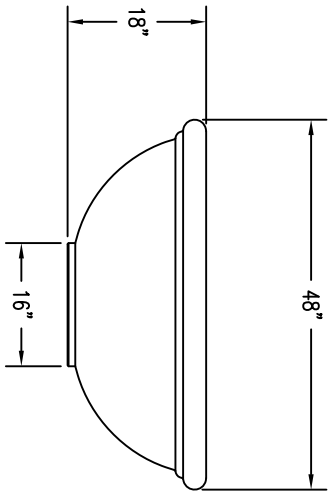
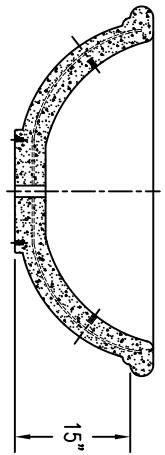
1	NAME	DATE	NOTES
2			
3			
4			
5			
6			
7			
8			

THESE DRAWING SPECIFICATIONS AND OTHER INFORMATION AND ACCOMPANYING THEM ARE THE CONFIDENTIAL AND PROPRIETARY PROPERTY OF WAUSAU TILE, INC. THE DRAWINGS HEREIN SHALL BELONG TO THE COMPANY AND SHALL REMAIN THE PROPERTY OF WAUSAU TILE, INC. THE PROPRIETARY INFORMATION CONTAINED WITHIN THE DRAWINGS AND THIS SPECIFICATION SHALL BE THE SOLE PROPERTY OF WAUSAU TILE, INC.

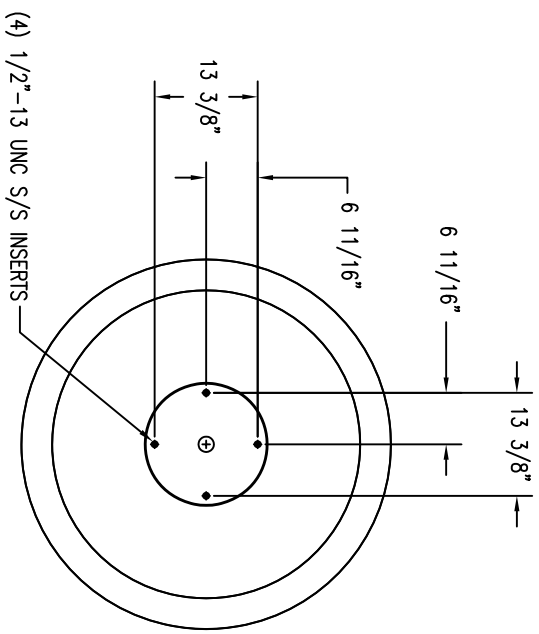


1 TOP VIEW

4 CROSS SECTION



2 ELEVATION VIEW



3 BOTTOM VIEW

JOB NAME
 ADDRESS
 CITY, STATE ZIP

UNLESS OTHERWISE SPECIFIED
 DIMENSIONS ARE IN INCHES
 FINISHES 5/16"

DRAWN BY: SK
 DATE: 7/14/15
 CD NUMBER: 7
 WEIGHT: 680 LBS

PRODUCT NO.
TF 4144