



P.O. BOX 1520 WAUSAU, WI 54402-1520  
 E-MAIL: [SALES@MAUSAUTILE.COM](mailto:SALES@MAUSAUTILE.COM)  
 WEB SITE: [WWW.MAUSAUTILE.COM](http://WWW.MAUSAUTILE.COM)

REVISIONS

1	NAME	DATE	NOTES
2			
3			
4			
5			
6			
7			
8			

THESE DRAWING, SPECIFICATIONS AND OTHER INFORMATION ARE THE PROPERTY OF MAUSAU TILE, INC. THE DRAWINGS AND SPECIFICATIONS SHALL BE THE PROPERTY OF MAUSAU TILE, INC. THE PROPRIETARY INFORMATION CONTAINED HEREIN IS THE SOLE PROPERTY OF MAUSAU TILE, INC.

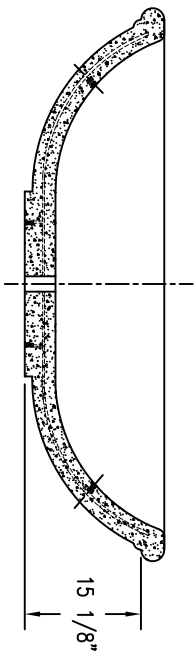
JOB NAME  
 ADDRESS  
 CITY, STATE ZIP

UNLESS OTHERWISE SPECIFIED  
 DIMENSIONS ARE IN  
 INCHES FRACTIONS 1/16"

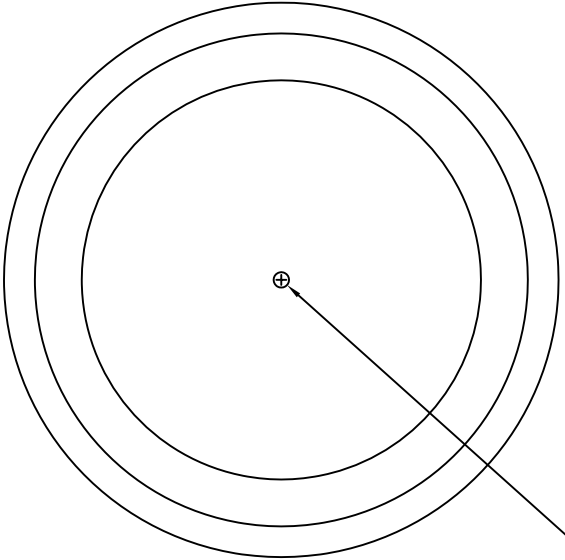
DRAWN BY: SK  
 DATE: 7/14/15  
 CD NUMBER: 7  
 WEIGHT: 1.450 LBS

PRODUCT NO.

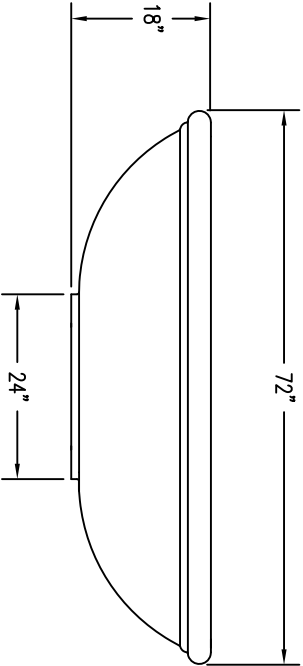
TF 4143



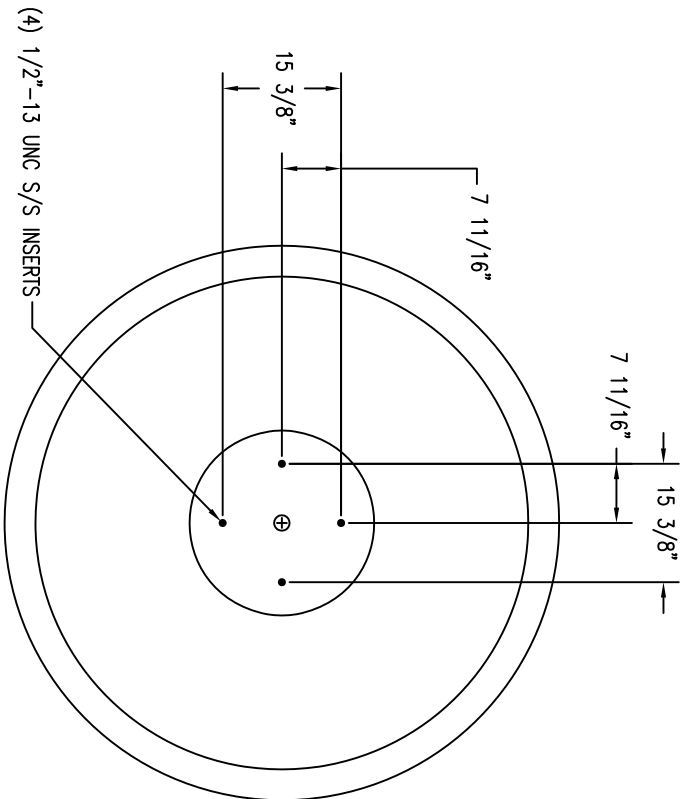
4 CROSS SECTION



1 TOP VIEW



2 ELEVATION VIEW



3 BOTTOM VIEW