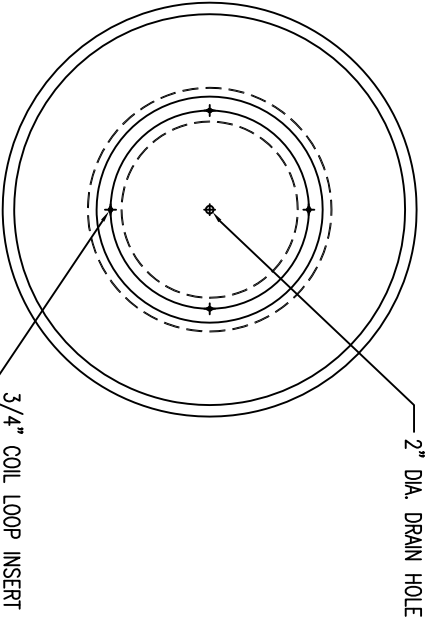




P.O. BOX 1520 WAUSAU, WI 54402-1520
 800-388-0728
 E-MAIL: WINTER@MAUSAUTILE.COM
 WEB SITE: WWW.MAUSAUTILE.COM

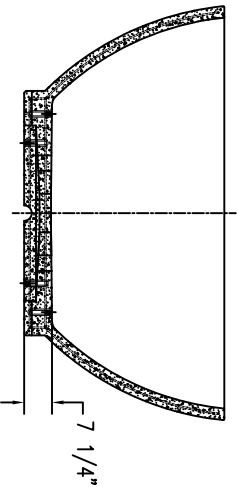
REVISIONS		
NO.	DATE	NOTES
1		
2		
3		
4		
5		
6		
7		
8		

CONFIDENTIAL INFORMATION
 THESE DRAWINGS, SPECIFICATIONS AND
 OTHER INFORMATION ARE THE
 CONFIDENTIAL AND PROPRIETARY PROPERTY
 OF MAUSAU TILE, INC. THE DRAWINGS
 HEREON SHALL BELONG TO THE
 OWNER AND SHALL BE KEPT IN
 STRICTLY CONFIDENTIAL. NO PART
 OF ANY DRAWING, SPECIFICATION OR
 OTHER INFORMATION SHALL BE REPRODUCED
 OR TRANSMITTED IN ANY FORM OR BY
 ANY MEANS, ELECTRONIC OR MECHANICAL,
 INCLUDING PHOTOCOPYING, RECORDING,
 OR BY ANY INFORMATION STORAGE AND
 RETRIEVAL SYSTEM, WITHOUT THE
 WRITTEN PERMISSION OF MAUSAU TILE, INC.
 THE PROPRIETARY INFORMATION
 CONTAINED HEREIN IS THE PROPERTY OF
 MAUSAU TILE, INC. AND IS NOT TO BE
 REPRODUCED OR TRANSMITTED IN ANY
 FORM OR BY ANY MEANS, ELECTRONIC OR
 MECHANICAL, INCLUDING PHOTOCOPYING,
 RECORDING, OR BY ANY INFORMATION
 STORAGE AND RETRIEVAL SYSTEM, WITHOUT
 THE WRITTEN PERMISSION OF MAUSAU TILE, INC.

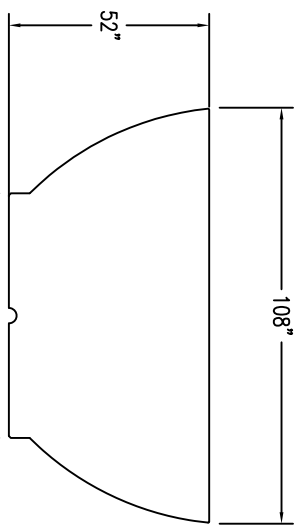


1 TOP VIEW

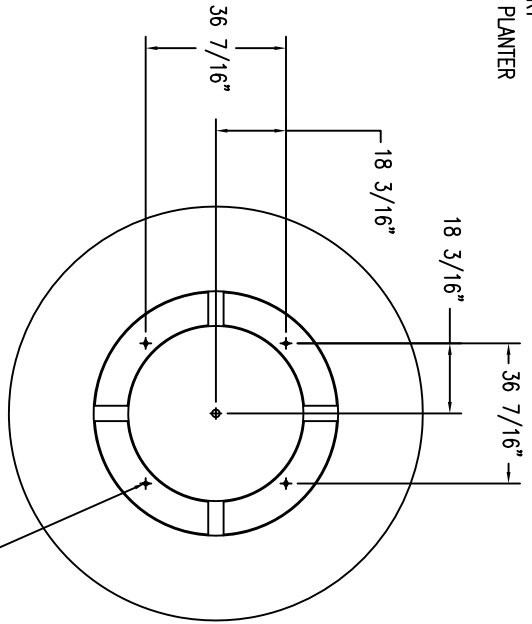
2" DIA. DRAIN HOLE
 3/4" COIL LOOP INSERT
 (4) REQ'D, INSIDE OF PLANTER



4 CROSS SECTION



2 ELEVATION VIEW



3 BOTTOM VIEW

3/4" COIL LOOP INSERT
 (4) REQ'D, OUTSIDE OF PLANTER
 ON BOTTOM, ON Ø51 1/2" CIRCLE

JOB NAME
 ADDRESS
 CITY, STATE ZIP

UNLESS OTHERWISE SPECIFIED
 DIMENSIONS ARE IN INCHES
 FINISHES 4/16"

DRAWN BY: SK
 DATE: 8/6/15
 CD NUMBER: ?
 WEIGHT: 1.075 LBS

PRODUCT NO.
TF 4137