

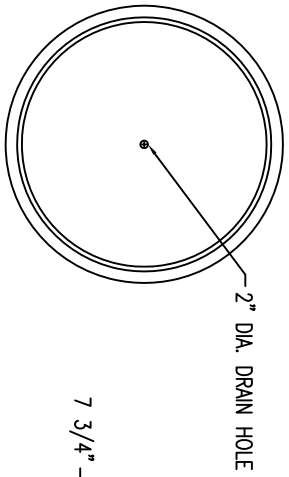


P.O. BOX 1520 WAUSAU, WI 54402-1520
 800-388-0728
 E-MAIL: WTL@MAUSAUTILE.COM
 WEB SITE: WWW.MAUSAUTILE.COM

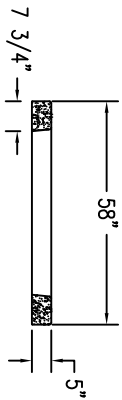
REVISIONS

1	NAME	DATE	NOTES
2			
3			
4			
5			
6			
7			
8			

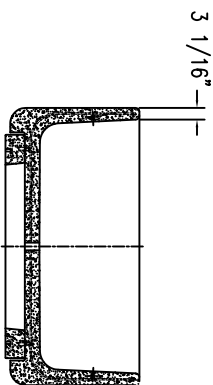
CONFIDENTIAL INFORMATION
 THESE DRAWING, SPECIFICATIONS AND
 OTHER INFORMATION ARE THE
 CONFIDENTIAL AND PROPRIETARY PROPERTY
 OF MAUSAU TILE, INC. THE DRAWINGS
 AND SPECIFICATIONS SHALL BELONG TO THE
 OWNER AND SHALL BE KEPT IN STRICT
 CONFIDENCE. NO PART OF THIS
 DRAWING OR SPECIFICATIONS SHALL BE REPRODUCED
 OR TRANSMITTED IN ANY FORM OR BY ANY
 MEANS, ELECTRONIC OR MECHANICAL,
 INCLUDING PHOTOCOPYING, RECORDING,
 OR BY ANY INFORMATION STORAGE AND
 RETRIEVAL SYSTEMS, WITHOUT THE
 WRITTEN PERMISSION OF MAUSAU TILE, INC.
 THE PROPRIETARY INFORMATION
 CONTAINED HEREIN IS THE PROPERTY OF
 MAUSAU TILE, INC. AND IS NOT TO BE
 REPRODUCED OR TRANSMITTED IN ANY
 FORM OR BY ANY MEANS, ELECTRONIC OR
 MECHANICAL, INCLUDING PHOTOCOPYING,
 RECORDING, OR BY ANY INFORMATION
 STORAGE AND RETRIEVAL SYSTEMS,
 WITHOUT THE WRITTEN PERMISSION OF
 MAUSAU TILE, INC.



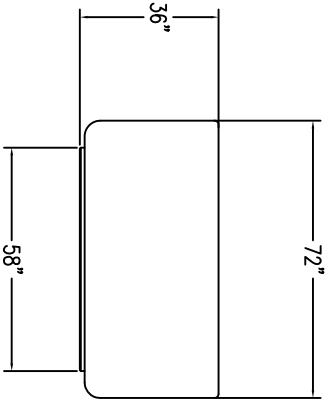
1 TOP VIEW



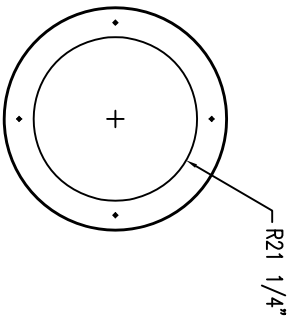
3 LEVELLING RING



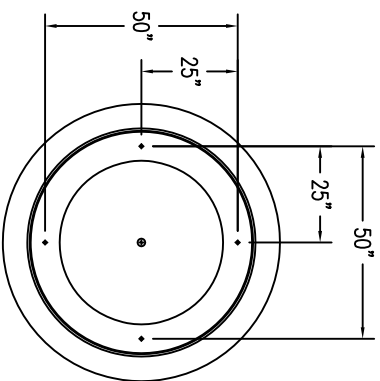
5 CROSS SECTION



2 ELEVATION VIEW



4 LEVELLING RING BOTTOM VIEW



6 BOTTOM VIEW

JOB NAME
 ADDRESS
 CITY, STATE ZIP

UNLESS OTHERWISE SPECIFIED
 DIMENSIONS ARE IN
 INCHES ±1/8"

DRAWN BY: SK
 DATE: 8/2/15
 CD NUMBER: ?
 WEIGHT: 3.725 LBS

PRODUCT NO.
TF 4135