

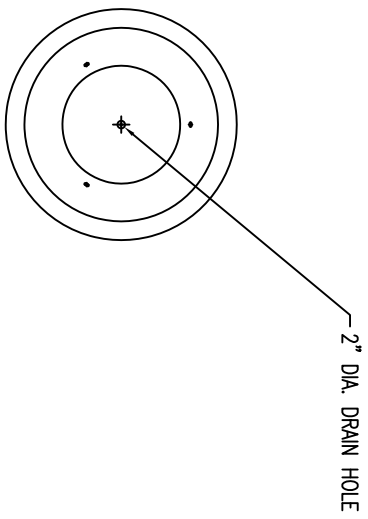


P.O. BOX 1520 WAUSAU, WI 54402-1520
 800-388-6728
 E-MAIL: WTL@MAUSAUTILE.COM
 WEB SITE: WWW.MAUSAUTILE.COM

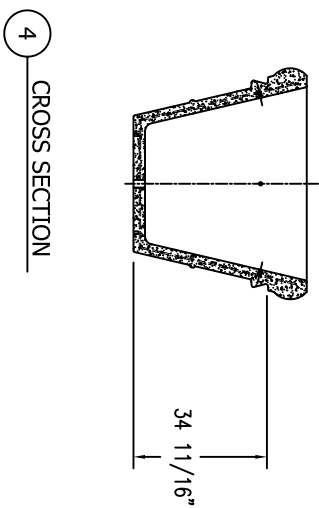
REVISIONS

1	NAME	DATE	NOTES
2			
3			
4			
5			
6			
7			
8			

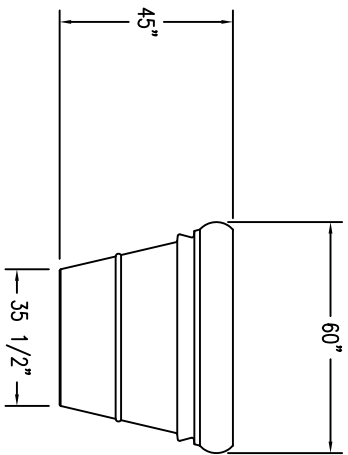
CONFIDENTIAL INFORMATION
 THESE DRAWINGS, SPECIFICATIONS AND
 OTHER INFORMATION ARE THE PROPERTY
 OF MAUSAU TILE, INC. THE DRAWINGS
 OR INFORMATION SHALL BELOING TO THE
 OWNER. NO PART OF THESE DRAWINGS
 OR INFORMATION SHALL BE REPRODUCED
 OR TRANSMITTED IN ANY FORM OR BY
 ANY MEANS, ELECTRONIC OR MECHANICAL,
 INCLUDING PHOTOCOPYING, RECORDING,
 OR BY ANY INFORMATION STORAGE AND
 RETRIEVAL SYSTEM, WITHOUT THE
 WRITTEN PERMISSION OF MAUSAU TILE, INC.
 THE PROPRIETARY INFORMATION
 CONTAINED HEREIN IS THE PROPERTY OF
 MAUSAU TILE, INC. AND IS NOT TO BE
 REPRODUCED OR TRANSMITTED IN ANY
 FORM OR BY ANY MEANS, ELECTRONIC
 OR MECHANICAL, INCLUDING PHOTOCOPYING,
 RECORDING, OR BY ANY INFORMATION
 STORAGE AND RETRIEVAL SYSTEM, WITHOUT
 THE WRITTEN PERMISSION OF MAUSAU TILE, INC.



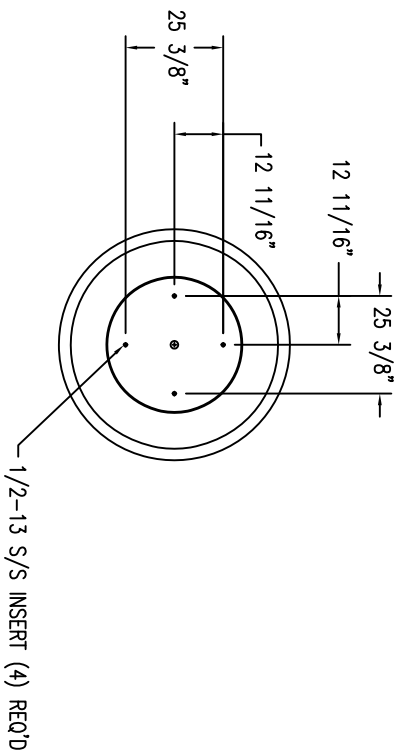
1 TOP VIEW



4 CROSS SECTION



2 ELEVATION VIEW



3 BOTTOM VIEW

JOB NAME
 ADDRESS
 CITY, STATE ZIP

UNLESS OTHERWISE SPECIFIED
 DIMENSIONS ARE IN INCHES
 FINISHES 4 1/8"

DRAWN BY: SK
 DATE: 7/10/15
 CO NUMBER: 7
 WEIGHT: 2.350 LBS

PRODUCT NO.
TF 4134