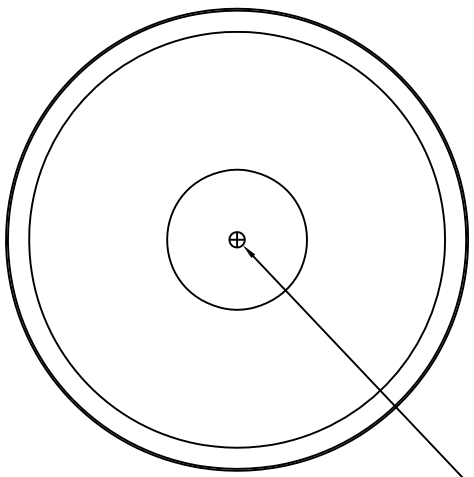
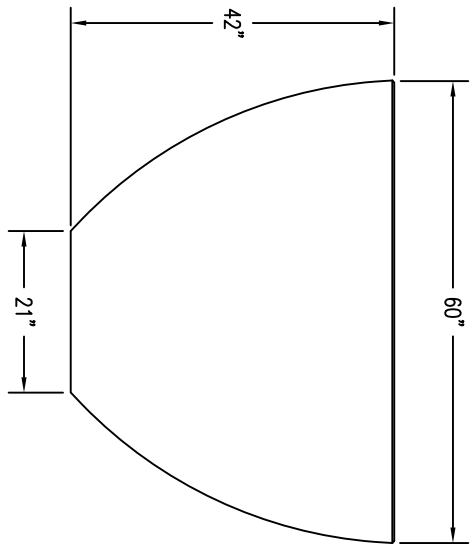


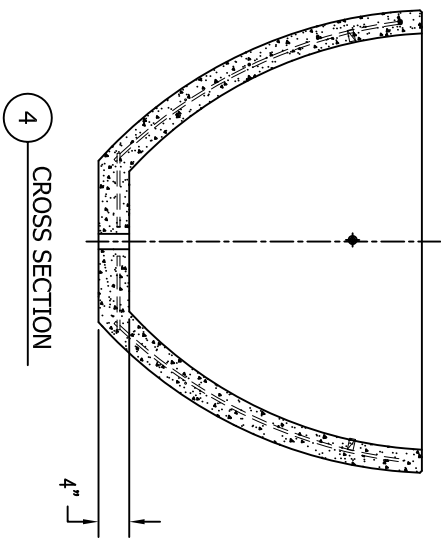
2" DIA. DRAIN HOLE



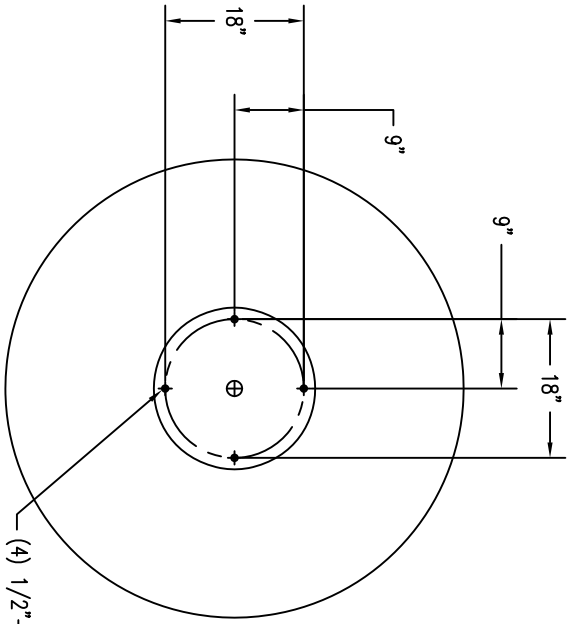
1 TOP VIEW



2 ELEVATION VIEW



4 CROSS SECTION



3 BOTTOM VIEW

(4) 1/2"-13 UNC INSERTS

**MAUSAU TILE**  
 P.O. BOX 1520 WAUSAU, WI 54402-1520  
 E-MAIL: SALES@MAUSAU TILE.COM  
 WEB SITE: WWW.MAUSAU TILE.COM

REVISIONS		
NAME	DATE	NOTES
1		
2		
3		
4		
5		
6		
7		
8		

THESE DRAWING SPECIFICATIONS AND OTHER INFORMATION ARE THE PROPERTY OF MAUSAU TILE, INC. THE DRAWINGS AND SPECIFICATIONS SHALL BE THE PROPERTY OF MAUSAU TILE, INC. THE PROPRIETARY INFORMATION AND TRADE SECRETS OF MAUSAU TILE, INC. SHALL REMAIN THE SOLE PROPERTY OF MAUSAU TILE, INC.

JOB NAME  
 ADDRESS  
 CITY, STATE ZIP

UNLESS OTHERWISE SPECIFIED  
 DIMENSIONS ARE IN INCHES  
 FINISHES 3/16"

DRAWN BY: SK  
 DATE: 7/13/15  
 CD NUMBER: 7  
 WEIGHT: 1,700 LBS

PRODUCT NO.  
**TF 4132**