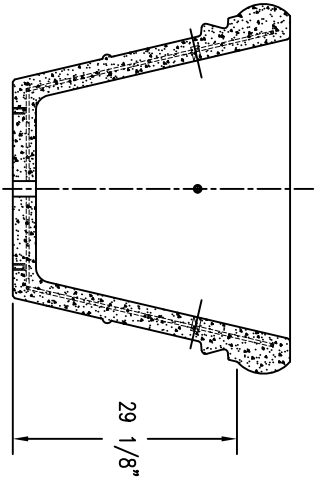
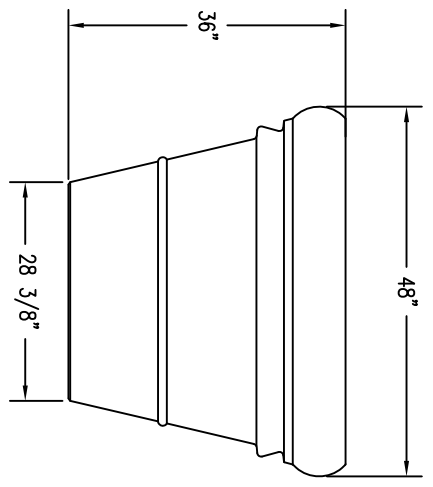


1 TOP VIEW

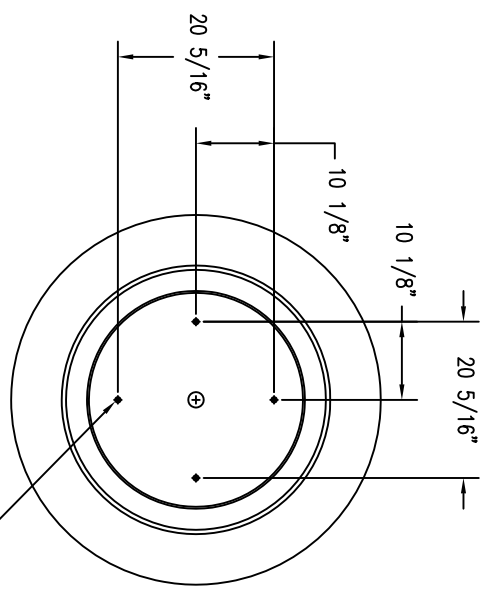
2" DIA. DRAIN HOLE



4 CROSS SECTION



2 ELEVATION VIEW



3 BOTTOM VIEW

(4) 3/8-16 UNC S.S. THREADED INSERTS

MAUSAU TILE
 P.O. BOX 1520 WAUSAU, WI 54402-1520
 E-MAIL: WAUSAUTILE@MAUSAUTILE.COM
 WEB SITE: WWW.MUSAUTILE.COM

REVISIONS		
NAME	DATE	NOTES
1		
2		
3		
4		
5		
6		
7		
8		

THESE DRAWING SPECIFICATIONS AND OTHER INFORMATION ARE THE PROPERTY OF MAUSAU TILE, INC. THE DRAWINGS AND SPECIFICATIONS SHALL BE THE PROPERTY OF MAUSAU TILE, INC. THE PROPRIETARY INFORMATION AND TRADE SECRETS OF MAUSAU TILE, INC. SHALL REMAIN THE SOLE PROPERTY OF MAUSAU TILE, INC.

JOB NAME
 ADDRESS
 CITY, STATE ZIP

UNLESS OTHERWISE SPECIFIED
 DIMENSIONS ARE IN INCHES
 FINISHES 3/16"

DRAWN BY: SK
 DATE: 7/10/15
 CD NUMBER: 7
 WEIGHT: 1.700 LBS

PRODUCT NO.
TF 4123