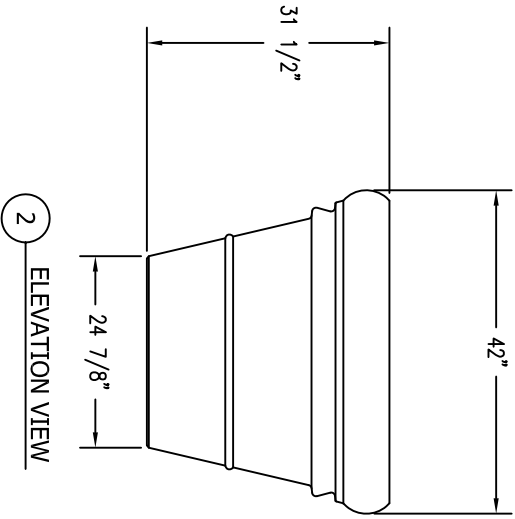
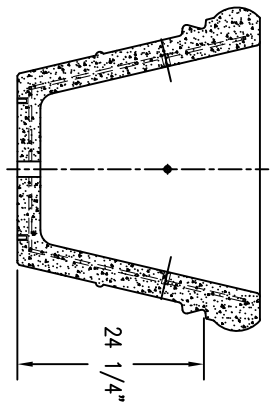


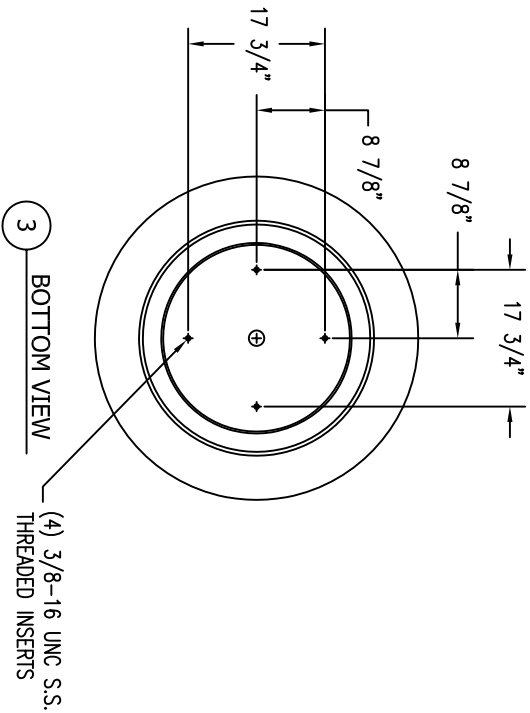
1 TOP VIEW



2 ELEVATION VIEW



4 CROSS SECTION



3 BOTTOM VIEW
(4) 3/8-16 UNC. S.S. THREADED INSERTS

WAUSAU TILE
 P.O. BOX 1520 WAUSAU, WI 54402-1520
 E-MAIL: WAUSAUTILE@WAUSAUTILE.COM
 WEB SITE: WAUSAUTILE.COM

REVISIONS

1	NAME	DATE	NOTES
2			
3			
4			
5			
6			
7			
8			

THESE DRAWING, SPECIFICATIONS AND OTHER INFORMATION ARE THE CONFIDENTIAL AND PROPRIETARY PROPERTY OF WAUSAU TILE, INC. THE DRAWINGS HEREON SHALL BELONG TO THE OWNER AND SHALL REMAIN THE PROPERTY OF WAUSAU TILE, INC. ANY ADDITIONAL USE SHALL REQUIRE THE PRIOR WRITTEN APPROVAL OF WAUSAU TILE, INC. THE PROPRIETARY INFORMATION CONTAINED WITHIN THE DRAWINGS AND THIS DOCUMENT SHALL REMAIN THE SOLE PROPERTY OF WAUSAU TILE, INC.

JOB NAME
 ADDRESS
 CITY, STATE ZIP

UNLESS OTHERWISE SPECIFIED
 DIMENSIONS ARE IN INCHES
 FINISHES 4/16"

DRAWN BY: SK
 DATE: 7/10/15
 CD NUMBER: 7
 WEIGHT: 1,110 LBS

PRODUCT NO.
TF 4117