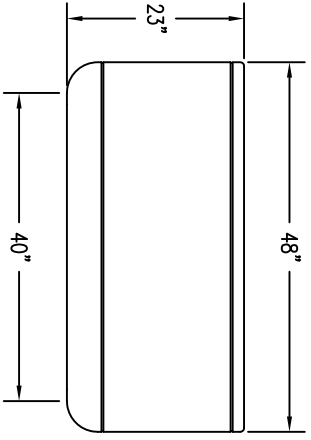
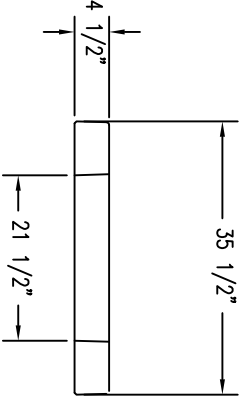


2" DIA. DRAIN HOLE

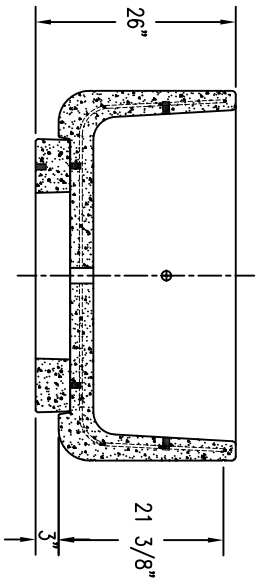
1 TOP VIEW



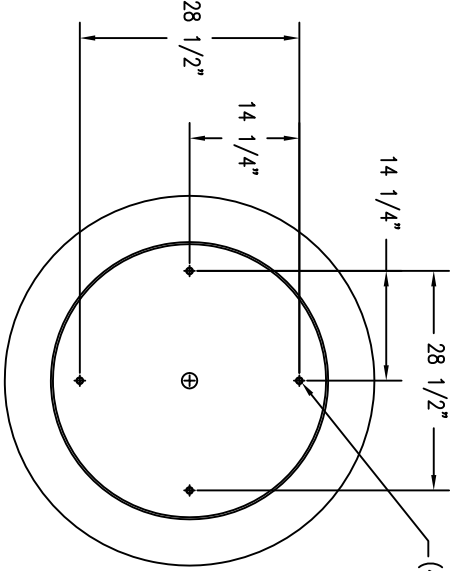
2 ELEVATION VIEW



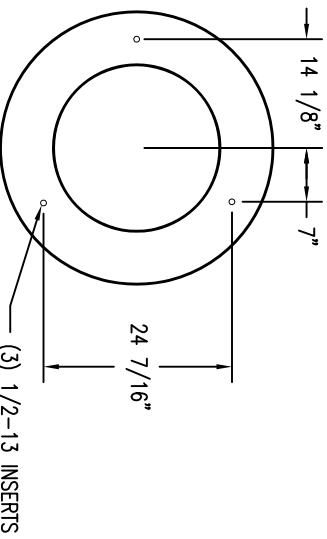
5 PLANTER LEVELING RING



4 CROSS SECTION



3 BOTTOM VIEW



5 PLANTER LEVELING RING

MAUSAU TILE
 P.O. BOX 1520 WAUSAU, WI 54402-1520
 E-MAIL: SALES@MAUSAU-TILE.COM
 WWW.MAUSAU-TILE.COM
 WEB SITE: WWW.MAUSAU-TILE.COM

REVISIONS		
NO.	DATE	NOTES
1		
2		
3		
4		
5		
6		
7		
8		

THESE DRAWING SPECIFICATIONS AND OTHER INFORMATION ARE THE PROPERTY OF MAUSAU TILE, INC. THE DRAWINGS AND SPECIFICATIONS SHALL BE THE PROPERTY OF MAUSAU TILE, INC. THE PROPRIETARY INFORMATION AND TRADE SECRETS OF MAUSAU TILE, INC. ARE HEREBY PROTECTED AND WILL REMAIN THE SOLE PROPERTY OF MAUSAU TILE, INC.

JOB NAME
 ADDRESS
 CITY, STATE ZIP

UNLESS OTHERWISE SPECIFIED
 DIMENSIONS ARE IN INCHES
 FINISHES 1/8"

DRAWN BY: SK
 DATE: 7/7/15
 CD NUMBER: ?
 WEIGHT: 1,400 LBS

PRODUCT NO.
TF 4115