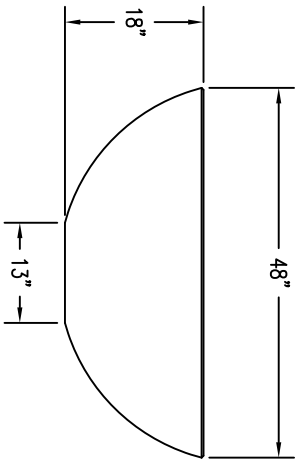
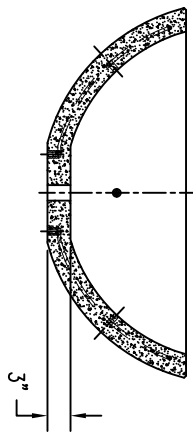


2" DIA. DRAIN HOLE

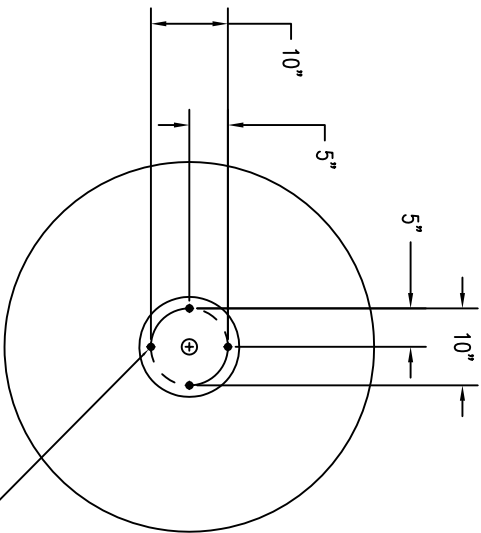
1 TOP VIEW



2 ELEVATION VIEW



4 CROSS SECTION



3 BOTTOM VIEW

(4) 1/2"-13 UNC S/S INSERTS

WAUSAU TILE
 P.O. BOX 1520 WAUSAU, WI 54402-1520
 E-MAIL: SALES@WAUSAUTILE.COM
 WEB SITE: WWW.WAUSAUTILE.COM

REVISIONS

NAME	DATE	NOTES
1		
2		
3		
4		
5		
6		
7		
8		

THESE DRAWING SPECIFICATIONS AND OTHER INFORMATION ARE THE PROPERTY OF WAUSAU TILE, INC. THE DRAWINGS HEREIN SHALL BELONG TO THE COMPANY AND NO PARTS THEREOF SHALL BE REPRODUCED OR TRANSMITTED IN ANY FORM OR BY ANY MEANS, ELECTRONIC OR MECHANICAL, WITHOUT THE WRITTEN APPROVAL OF WAUSAU TILE, INC. THE PROPRIETARY INFORMATION AND TRADE SECRETS OF WAUSAU TILE, INC. ARE HEREBY PROTECTED AND SHALL REMAIN THE SOLE PROPERTY OF WAUSAU TILE, INC.

JOB NAME
 ADDRESS
 CITY, STATE ZIP

UNLESS OTHERWISE SPECIFIED
 DIMENSIONS ARE IN INCHES
 FINISHES 4/16"

DRAWN BY: SK
 DATE: 7/13/15
 CD NUMBER: 7
 WEIGHT: 600 LBS

PRODUCT NO.
TF 4106