



P.O. BOX 1520 WAUSAU, WI 54402-1520
 E-MAIL: WAUSAUTILE@WAUSAUTILE.COM
 WEB SITE: WWW.WUSAUTILE.COM

REVISIONS

| 1 | NAME | DATE | NOTES |
|---|------|------|-------|
| 2 | | | |
| 3 | | | |
| 4 | | | |
| 5 | | | |
| 6 | | | |
| 7 | | | |
| 8 | | | |

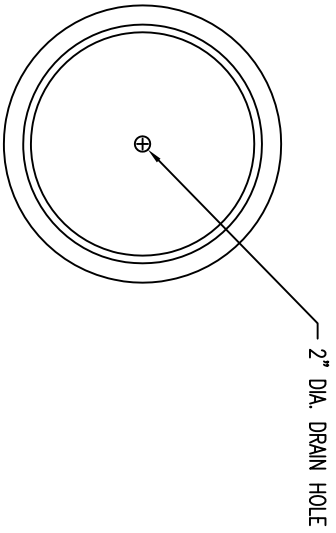
THESE DRAWING, SPECIFICATIONS AND OTHER INFORMATION ARE THE PROPERTY OF WAUSAU TILE, INC. THE DRAWINGS AND SPECIFICATIONS SHALL BE THE PROPERTY OF WAUSAU TILE, INC. THE PROPRIETARY INFORMATION CONTAINED HEREIN IS UNCLASSIFIED AND IS NOT TO BE REPRODUCED OR TRANSMITTED IN ANY FORM OR BY ANY MEANS, ELECTRONIC OR MECHANICAL, INCLUDING PHOTOCOPYING, RECORDING, OR BY ANY INFORMATION STORAGE AND RETRIEVAL SYSTEM, WITHOUT THE WRITTEN APPROVAL OF WAUSAU TILE, INC. THE PROPRIETARY INFORMATION CONTAINED HEREIN IS UNCLASSIFIED AND IS NOT TO BE REPRODUCED OR TRANSMITTED IN ANY FORM OR BY ANY MEANS, ELECTRONIC OR MECHANICAL, INCLUDING PHOTOCOPYING, RECORDING, OR BY ANY INFORMATION STORAGE AND RETRIEVAL SYSTEM, WITHOUT THE WRITTEN APPROVAL OF WAUSAU TILE, INC.

JOB NAME
 ADDRESS
 CITY, STATE ZIP

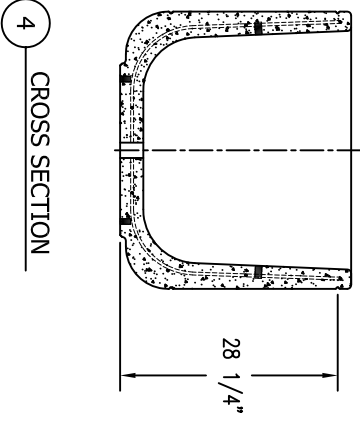
UNLESS OTHERWISE SPECIFIED
 DIMENSIONS ARE IN INCHES
 FINISHES: F=1/8"

DRAWN BY: SK
 DATE: 7/7/15
 CD NUMBER: ?
 WEIGHT: 885 LBS

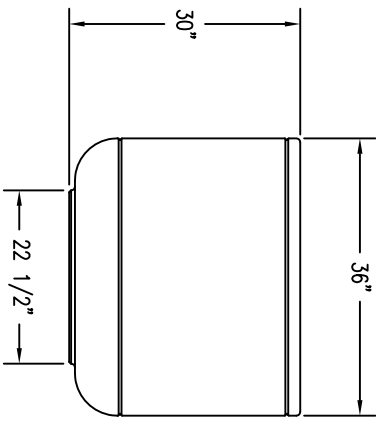
PRODUCT NO.
TF 4100



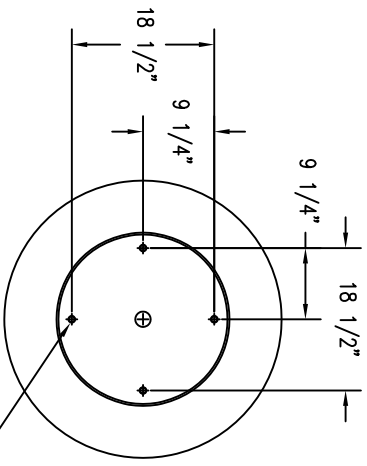
1 TOP VIEW



4 CROSS SECTION



2 ELEVATION VIEW



3 BOTTOM VIEW
 (4) 1/2-13 INSERTS