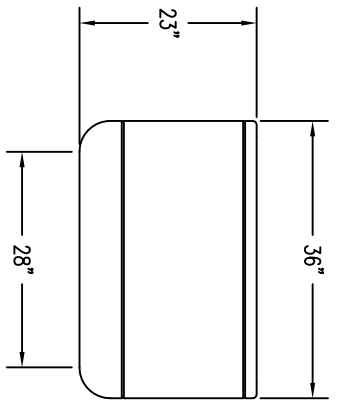
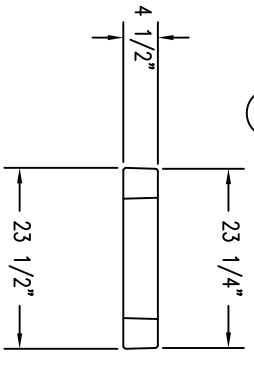


2" DIA. DRAIN HOLE

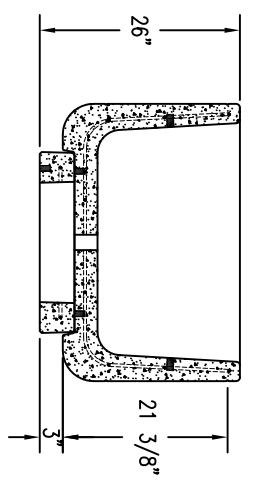
1 TOP VIEW



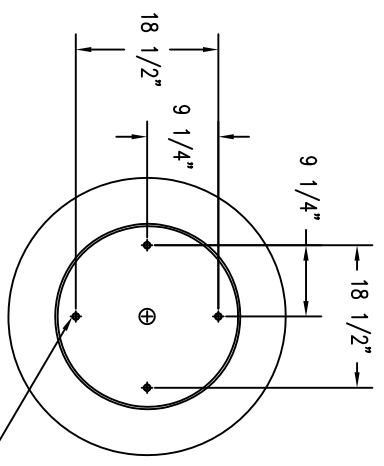
2 ELEVATION VIEW



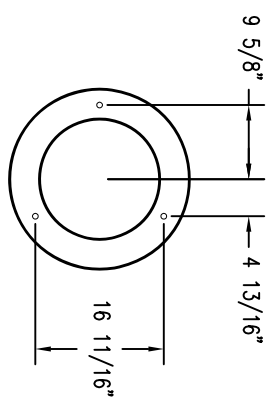
5 PLANTER LEVELING RING



4 CROSS SECTION



3 BOTTOM VIEW



5 PLANTER LEVELING RING

(4) 1/2-13 INSERTS

**WAUSAU TILE**  
 P.O. BOX 1520 WAUSAU, WI 54402-1520  
 E-MAIL: SALES@WAUSAUTILE.COM  
 WEB SITE: WWW.WAUSAUTILE.COM

REVISIONS		
NAME	DATE	NOTES
1		
2		
3		
4		
5		
6		
7		
8		

THESE DRAWING, SPECIFICATIONS AND OTHER INFORMATION ARE THE PROPERTY OF WAUSAU TILE, INC. THE DRAWINGS AND SPECIFICATIONS SHALL REMAIN THE PROPERTY OF WAUSAU TILE, INC. ANY ADDITIONAL USE SHALL REQUIRE THE PRIOR WRITTEN APPROVAL OF WAUSAU TILE, INC. THE PROPRIETARY INFORMATION CONTAINED HEREIN IS UNCLASSIFIED AND IS THE SOLE PROPERTY OF WAUSAU TILE, INC.

JOB NAME  
 ADDRESS  
 CITY, STATE ZIP

UNLESS OTHERWISE SPECIFIED  
 DIMENSIONS ARE IN INCHES  
 FINISHES 4 1/8"  
 DRAWN BY: SK  
 DATE: 7/7/15  
 CD NUMBER: ?  
 WEIGHT: 945 LBS  
 PRODUCT NO.  
**TF 4095**