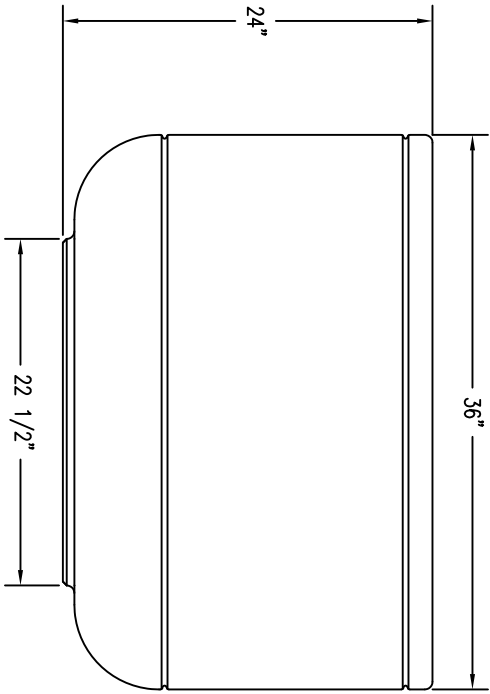
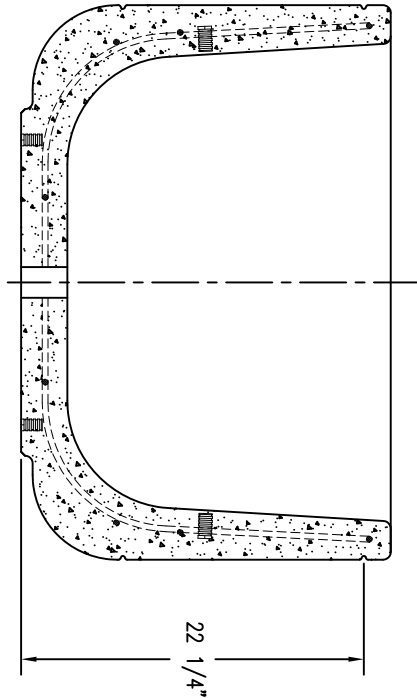


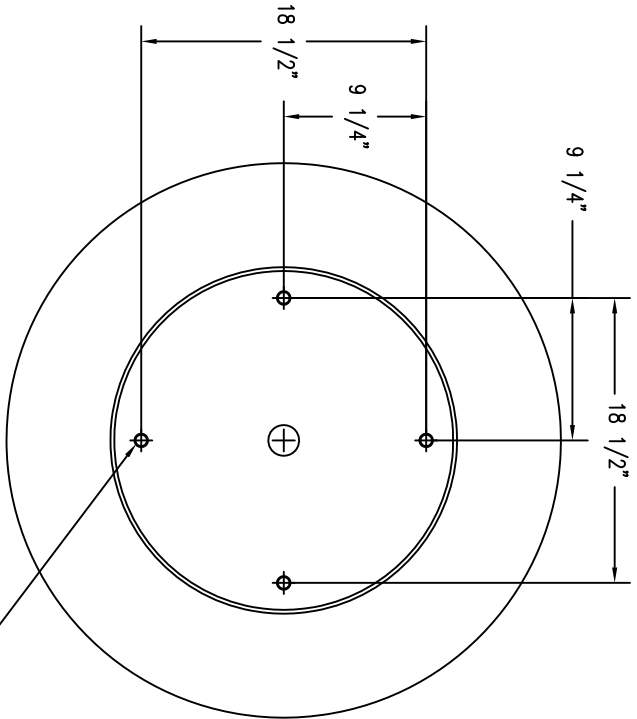
1 TOP VIEW



2 ELEVATION VIEW



4 CROSS SECTION



3 BOTTOM VIEW

(4) 1/2-13 INSERTS

MAUSAU TILE
 P.O. BOX 1320 MAUSAU, WI 54402-1320
 E-MAIL: SALES@MAUSAU.COM
 WEB SITE: WWW.MAUSAU TILE.COM

REVISIONS		
NAME	DATE	NOTES
1		
2		
3		
4		
5		
6		
7		
8		

THESE DRAWING, SPECIFICATIONS AND OTHER INFORMATION ARE THE PROPERTY OF MAUSAU TILE, INC. THE DRAWINGS HEREIN SHALL BELONG TO THE MAUSAU TILE, INC. AND SHALL REMAIN THE PROPERTY OF MAUSAU TILE, INC. WITHOUT ANY ADDITIONAL USE SHALL REQUIRE THE PRIOR WRITTEN APPROVAL OF MAUSAU TILE, INC. THE PROPRIETARY INFORMATION CONTAINED HEREIN IS UNCLASSIFIED AND IS THE SOLE PROPERTY OF MAUSAU TILE, INC.

JOB NAME
 ADDRESS
 CITY, STATE ZIP

UNLESS OTHERWISE SPECIFIED
 DIMENSIONS ARE IN INCHES
 FINISHES 3/16"

DRAWN BY: SK
 DATE: 7/8/15
 CD NUMBER: ?
 WEIGHT: 725 LBS

PRODUCT NO.
TF 4090