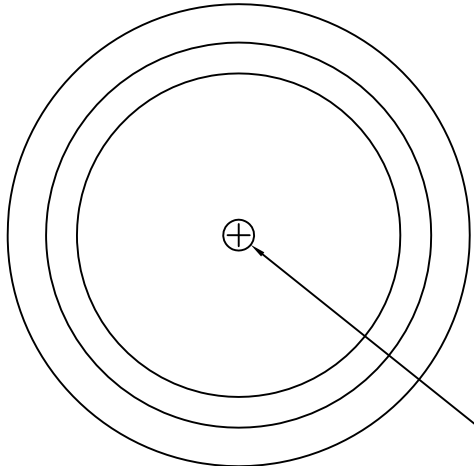


REVISIONS

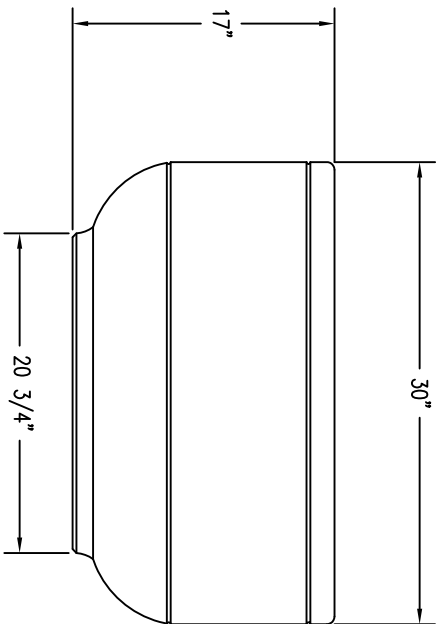
NO.	NAME	DATE	NOTES
1			
2			
3			
4			
5			
6			
7			
8			

THESE DRAWING SPECIFICATIONS AND OTHER MATERIALS ACCOMPANYING THEM ARE THE CONFIDENTIAL AND PROPRIETARY PROPERTY OF MAUSAU TILE, INC. THE DRAWINGS HEREIN SHALL BELONG TO THE USER AND SHALL BE KEPT IN STRICTLY CONFIDENTIAL. ANY ADDITIONAL USE SHALL REQUIRE THE PRIOR WRITTEN APPROVAL OF MAUSAU TILE, INC. THE PROPRIETARY INFORMATION CONTAINED HEREIN IS THE BUSINESS AND THE SOLE PROPERTY OF MAUSAU TILE, INC.

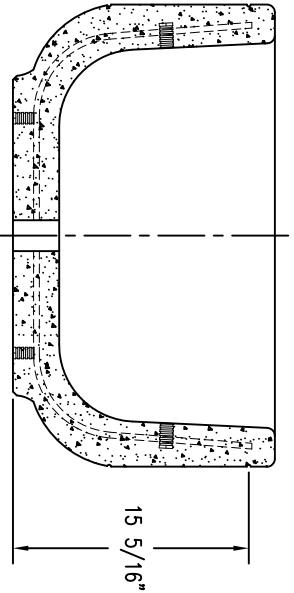


2" DIA. DRAIN HOLE

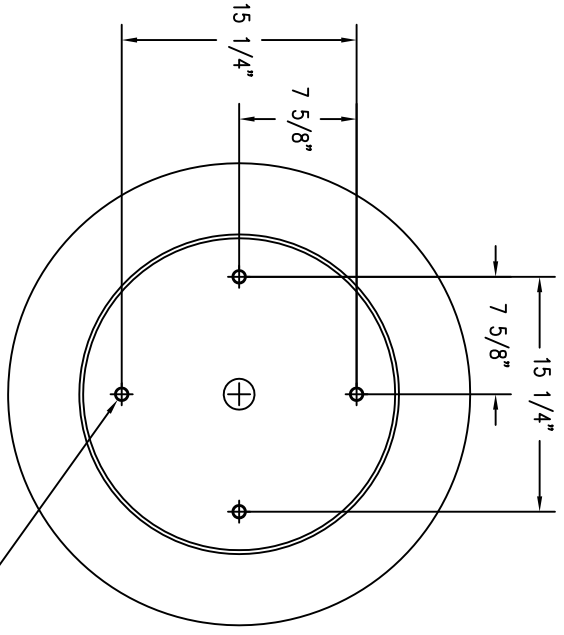
1 TOP VIEW



2 ELEVATION VIEW



4 CROSS SECTION



3 BOTTOM VIEW

(4) 1/2-13 INSERTS

JOB NAME
 ADDRESS
 CITY, STATE ZIP

UNLESS OTHERWISE SPECIFIED
 DIMENSIONS ARE IN INCHES
 FINISHES: F1/8"

DRAWN BY:	SK
DATE:	7/8/15
CD NUMBER:	?
WEIGHT:	440 LBS
PRODUCT NO.:	TF 4080