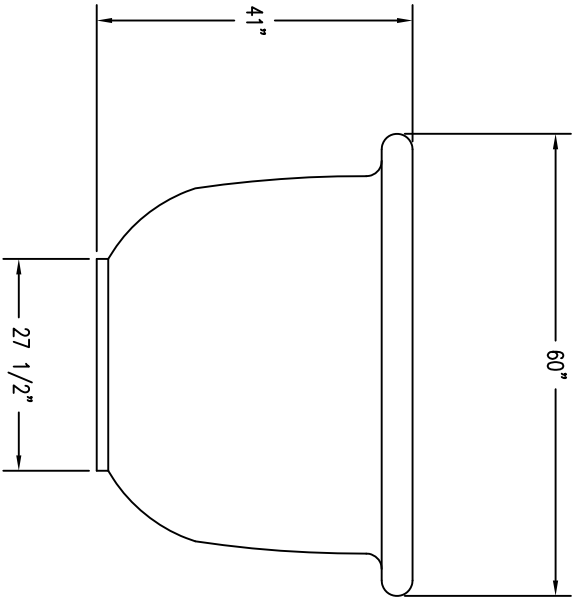
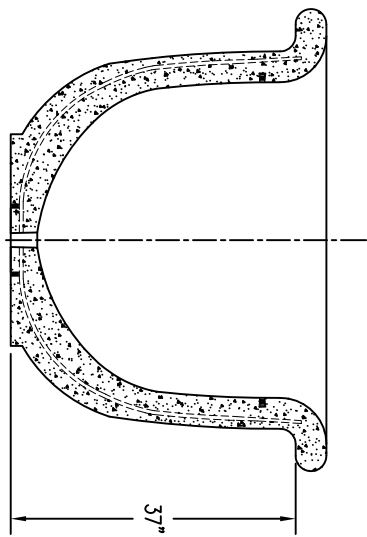


2" DIA. DRAIN HOLE

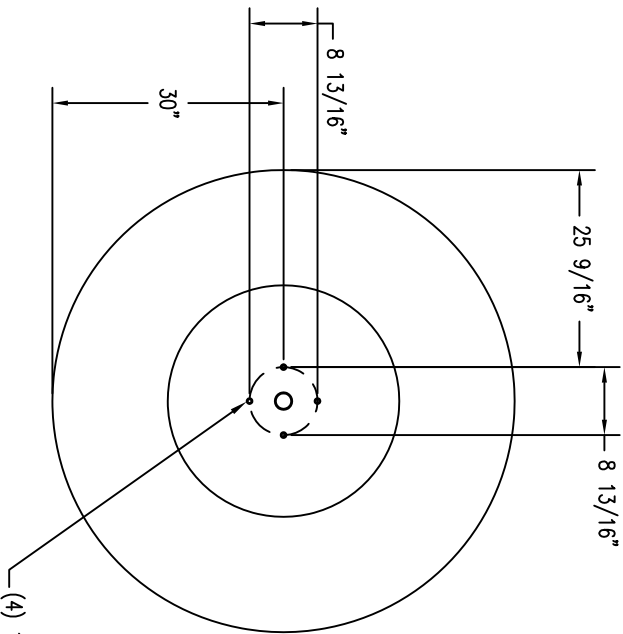
1 TOP VIEW



2 ELEVATION VIEW



4 CROSS SECTION



3 BOTTOM VIEW

(4) 1/2"-13 UNC INSERTS

**MAUSAU TILE**  
 P.O. BOX 1520 WAUSAU, WI 54402-1520  
 E-MAIL: SALES@MAUSAUTILE.COM  
 WEB SITE: WWW.MAUSAUTILE.COM

REVISIONS		
NO.	DATE	NOTES
1		
2		
3		
4		
5		
6		
7		
8		

THESE DRAWING SPECIFICATIONS AND OTHER INFORMATION ARE THE PROPERTY OF MAUSAU TILE, INC. THE DRAWINGS HEREIN SHALL BELONG TO THE OWNER OF THE PROJECT AND SHALL BE KEPT IN CONFIDENTIAL AND PROPRIETARY PROPERTY OF MAUSAU TILE, INC. ANY ADDITIONAL USE SHALL REQUIRE THE PRIOR WRITTEN APPROVAL OF MAUSAU TILE, INC. THE PROPRIETARY INFORMATION CONTAINED WITHIN THE DRAWINGS AND THIS SPECIFICATION IS THE SOLE PROPERTY OF MAUSAU TILE, INC.

JOB NAME  
 ADDRESS  
 CITY, STATE ZIP

UNLESS OTHERWISE SPECIFIED  
 DIMENSIONS ARE IN INCHES  
 FINISHES 3/16"

DRAWN BY: SK  
 DATE: 7/2/15  
 CO NUMBER: 7  
 WEIGHT: 1,980 LBS

PRODUCT NO.  
**TF 4065**