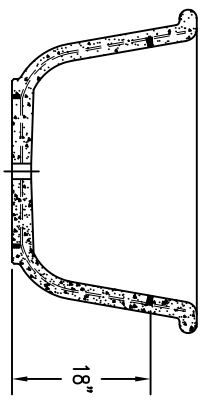


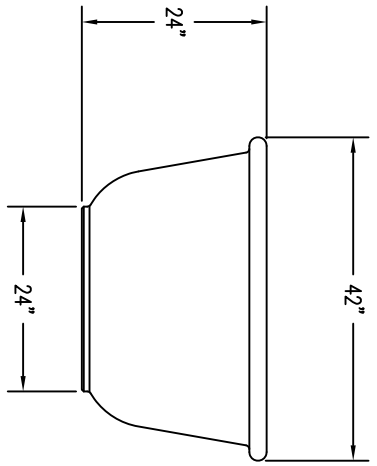
2" DIA. DRAIN HOLE

1 TOP VIEW



18"

4 CROSS SECTION

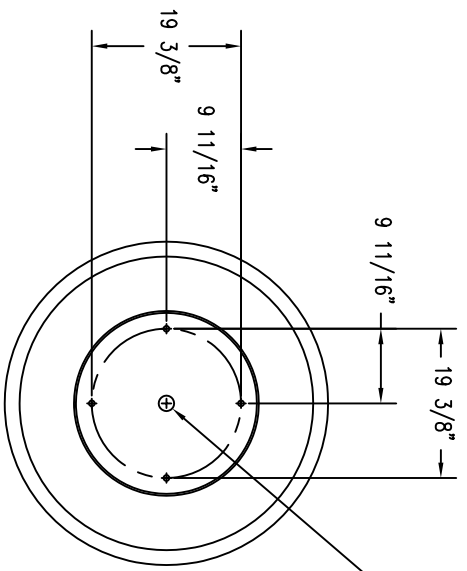


42"

24"

24"

2 ELEVATION VIEW



2" DIA. DRAIN HOLE

9 11/16"

19 3/8"

9 11/16"

19 3/8"

3 BOTTOM VIEW

WAUSAU TILE
 P.O. BOX 1520 WAUSAU, WI 54402-1520
 E-MAIL: SALES@WAUSAUTILE.COM
 WEB SITE: WWW.WAUSAUTILE.COM

REVISIONS	
NAME	DATE
1	
2	
3	
4	
5	
6	
7	
8	

THESE DRAWING SPECIFICATIONS AND OTHER INFORMATION AND ACCOMPANYING THEM ARE THE CONFIDENTIAL AND PROPRIETARY PROPERTY OF WAUSAU TILE, INC. THE DRAWINGS HEREON SHALL BELONG TO THE OWNER AND SHALL REMAIN THE PROPERTY OF WAUSAU TILE, INC. ANY ADDITIONAL USE SHALL REQUIRE THE PRIOR WRITTEN APPROVAL OF WAUSAU TILE, INC. THE PROPRIETARY INFORMATION CONTAINED HEREIN IS UNCLASSIFIED AND IS THE SOLE PROPERTY OF WAUSAU TILE, INC.

JOB NAME
 ADDRESS
 CITY, STATE ZIP

UNLESS OTHERWISE SPECIFIED
 DIMENSIONS ARE IN INCHES
 FINISHES 4/16"

DRAWN BY: SK
 DATE: 7/2/15
 CD NUMBER: 7
 WEIGHT: 600 LBS

PRODUCT NO.
TF 4060