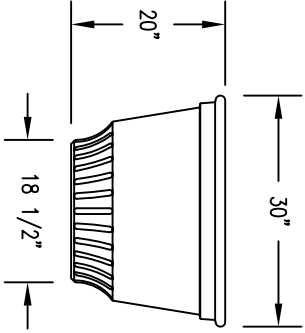
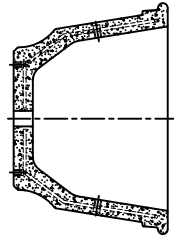


2" DIA. DRAIN HOLE

1 TOP VIEW

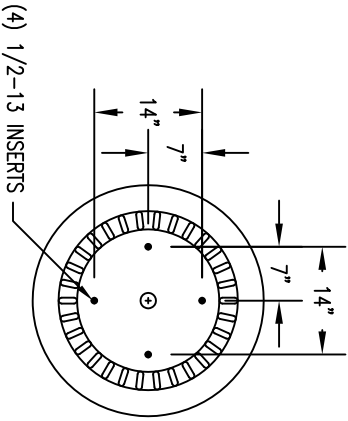


2 ELEVATION VIEW



3 5/16"

4 CROSS SECTION



(4) 1/2-13 INSERTS

3 BOTTOM VIEW



P.O. BOX 1520 WASAU, WI 54402-1520
 E-MAIL: WATERMAN@TILE.COM
 WEB SITE: WWW.WASAU.TILE.COM

REVISIONS		
NAME	DATE	NOTES
1		
2		
3		
4		
5		
6		
7		
8		

THESE DRAWING, SPECIFICATIONS AND OTHER INFORMATION ARE THE PROPERTY OF WASAU TILE, INC. THE DRAWINGS AND SPECIFICATIONS SHALL BE THE PROPERTY OF WASAU TILE, INC. THE PROPRIETARY INFORMATION AND TRADE SECRETS OF WASAU TILE, INC. SHALL REMAIN THE SOLE PROPERTY OF WASAU TILE, INC.

JOB NAME
 ADDRESS
 CITY, STATE ZIP

UNLESS OTHERWISE SPECIFIED
 DIMENSIONS ARE IN INCHES
 FINISHES 4/16"

DRAWN BY: SK
 DATE: 8/11/15
 CD NUMBER: 7
 WEIGHT: 320 LBS

PRODUCT NO.
TF 4051