

REVISIONS		
NAME	DATE	NOTES
1		
2		
3		
4		
5		
6		
7		
8		

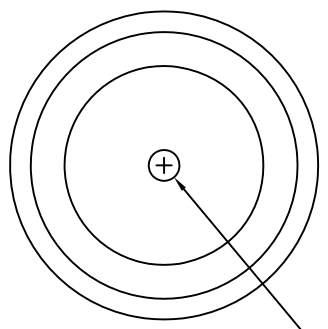
THESE DRAWING SPECIFICATIONS AND OTHER INFORMATION ARE THE CONFIDENTIAL AND PROPRIETARY PROPERTY OF MAUSAU TILE, INC. THE DRAWINGS HEREON SHALL BELONG TO THE MAUSAU TILE COMPANY AND SHALL REMAIN THE PROPERTY OF MAUSAU TILE, INC. THE PROPRIETARY INFORMATION CONTAINED HEREIN IS THE SOLE PROPERTY OF MAUSAU TILE, INC.

JOB NAME _____
 ADDRESS _____
 CITY, STATE ZIP _____

UNLESS OTHERWISE SPECIFIED
 DIMENSIONS ARE IN INCHES
 FINISHES 4/16"

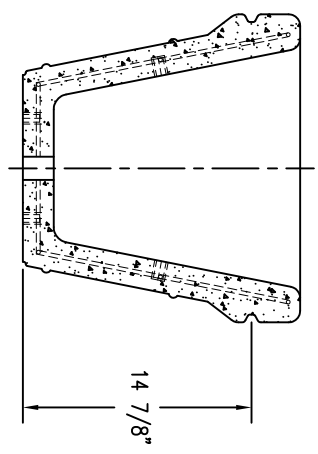
DRAWN BY: SK
 DATE: 7/10/15
 CD NUMBER: 7
 WEIGHT: 175 LBS

PRODUCT NO.
TF 4043

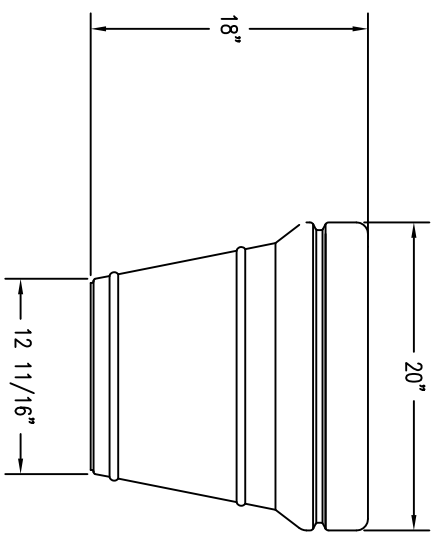


1 TOP VIEW

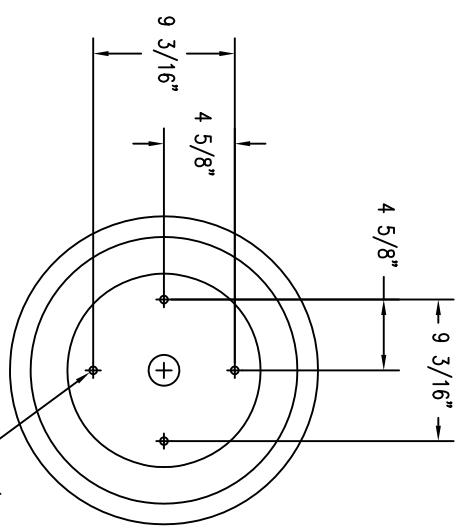
2" DIA. DRAIN HOLE



4 CROSS SECTION



2 ELEVATION VIEW



3 BOTTOM VIEW

1/2-13 THREADED INSERT (4) REQ'D