



P.O. BOX 1520 WASAU, WI 54402-1520
 E-MAIL: SALES@WASAU TILE.COM
 WEB SITE: WWW.WASAU TILE.COM

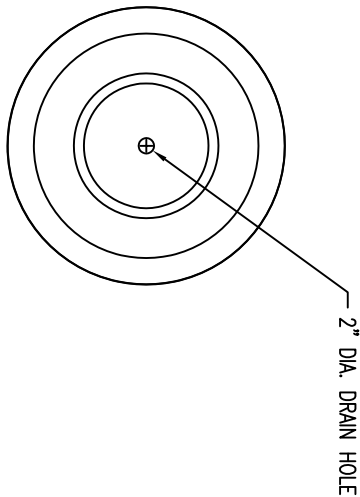
REVISIONS	
NAME	DATE
1	
2	
3	
4	
5	
6	
7	
8	

THESE DRAWING, SPECIFICATIONS AND OTHER INFORMATION ARE PREPARED AND ACCOMPANYING THEM ARE THE CONFIDENTIAL AND PROPRIETARY PROPERTY OF WASAU TILE, INC. THE DRAWINGS HEREIN SHALL BELONG TO THE OWNER OF THE PROJECT AND SHALL REMAIN THE PROPERTY OF WASAU TILE, INC. ANY ADDITIONAL USE SHALL REQUIRE THE PRIOR WRITTEN APPROVAL OF WASAU TILE, INC. THE PROPRIETARY INFORMATION CONTAINED WITHIN THE DRAWINGS AND THIS DOCUMENT IS THE SOLE PROPERTY OF WASAU TILE, INC.

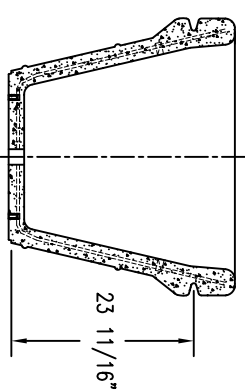
JOB NAME _____
 ADDRESS _____
 CITY, STATE ZIP _____

UNLESS OTHERWISE SPECIFIED
 DIMENSIONS ARE IN INCHES
 FINISHES 1/16"

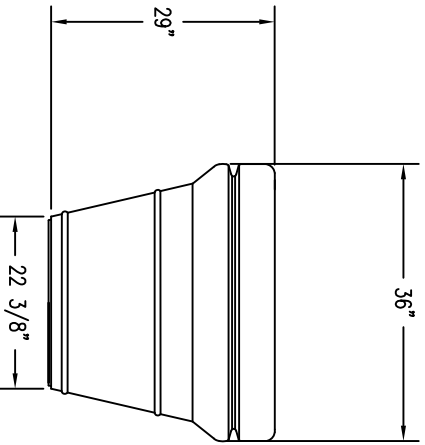
DRAWN BY: SK
 DATE: 7/10/15
 CD NUMBER: 7
 WEIGHT: 675 LBS
 PRODUCT NO.
TF 4042



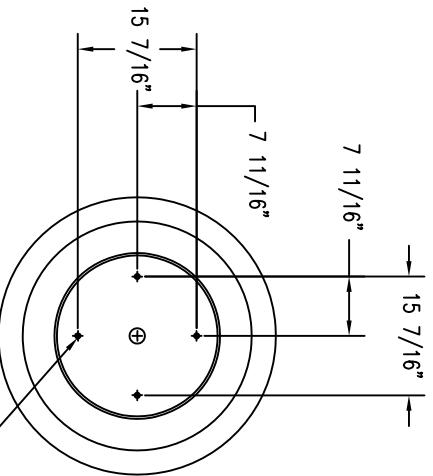
1 TOP VIEW



4 CROSS SECTION



2 ELEVATION VIEW



3 BOTTOM VIEW

1/2-13 S/S INSERT (4) REQ'D