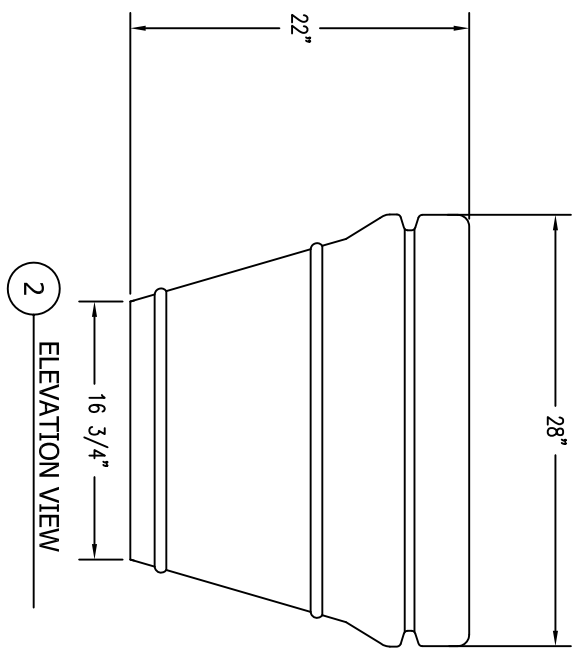
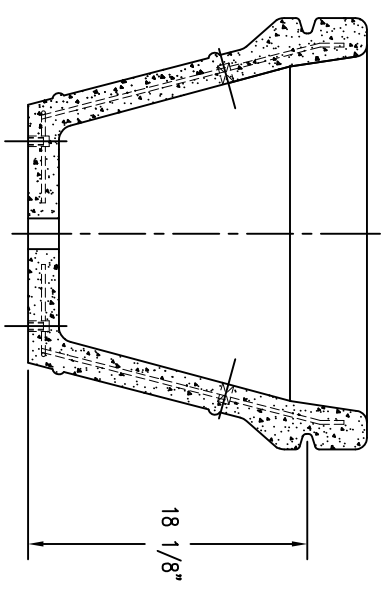


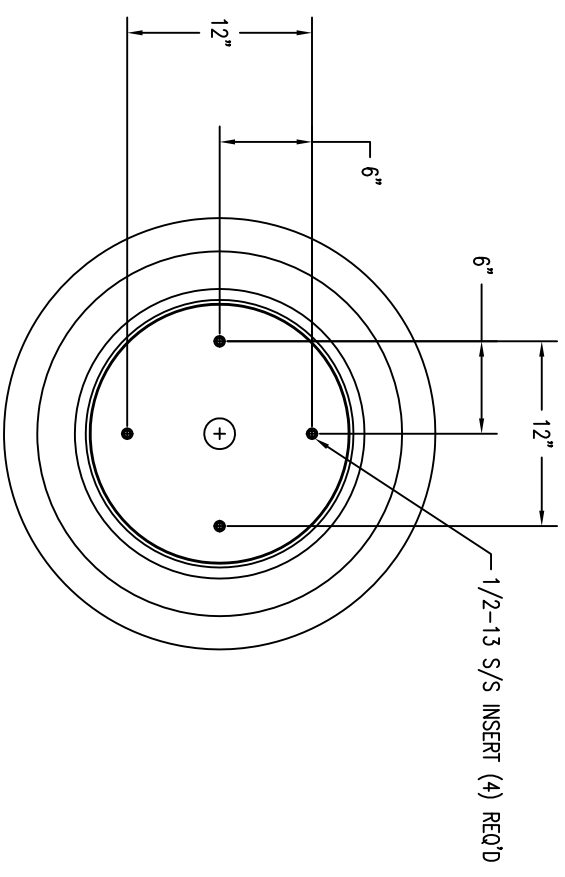
1 TOP VIEW



2 ELEVATION VIEW



4 CROSS SECTION



3 BOTTOM VIEW

**MAUSAU TILE**  
 P.O. BOX 1320 MAUSAU, WI 54402-1320  
 E-MAIL: SALES@MAUSAU.COM  
 WEB SITE: WWW.MAUSAUTILE.COM

REVISIONS		
NAME	DATE	NOTES
1		
2		
3		
4		
5		
6		
7		
8		

THESE DRAWING, SPECIFICATIONS AND OTHER INFORMATION ARE THE PROPERTY OF MAUSAU TILE, INC. THE DRAWINGS HEREIN SHALL BELONG TO THE OWNER AND SHALL BE KEPT IN CONFIDENTIAL AND PROPRIETARY PROPERTY OF MAUSAU TILE, INC. ANY ADDITIONAL USE SHALL REQUIRE THE PRIOR WRITTEN APPROVAL OF MAUSAU TILE, INC. THE PROPRIETARY INFORMATION CONTAINED HEREIN IS THE BUSINESS AND THE SOLE PROPERTY OF MAUSAU TILE, INC.

JOB NAME \_\_\_\_\_  
 ADDRESS \_\_\_\_\_  
 CITY, STATE ZIP \_\_\_\_\_

UNLESS OTHERWISE SPECIFIED  
 DIMENSIONS ARE IN INCHES  
 FINISHES: F1/8"

DRAWN BY: SK  
 DATE: 7/10/15  
 CD NUMBER: 7  
 WEIGHT: 315 LBS

PRODUCT NO.  
**TF 4041**