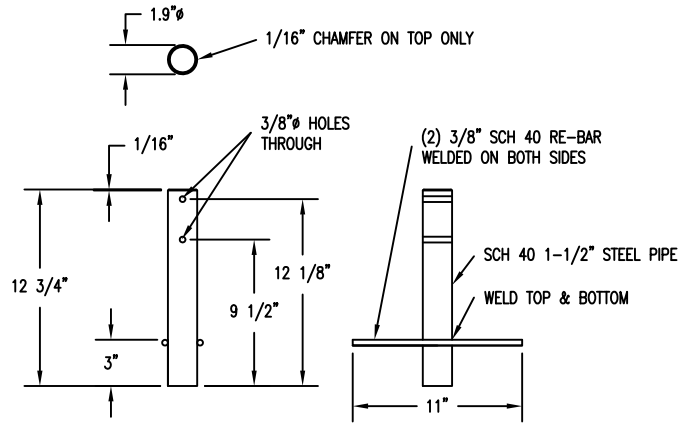
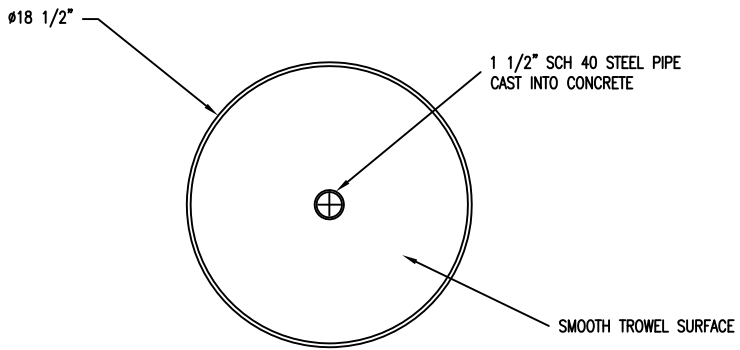


1 ELEVATION VIEW
Scale: 1-1/2" = 1'



PART NUMBER: RM11626
FINISH: ZINC PLATED



2 BOTTOM VIEW
Scale: 1-1/2" = 1'

TO FIT BARABOO AND GRAPHIC HOUSE

WAUSAU TILE				P.O. BOX 1000 WAUWATON, WISCONSIN 54981-1000 (920) 730-4720 E-MAIL: SALES@WAUSAUTILE.COM WEB SITE: WWW.WAUSAUTILE.COM	
DRAWN BY	AKG	JOB NO.		MATERIAL	CONCRETE
TITLE	UMBRELLA BASE	JOB NO.		WEIGHT	90 LBS
SCALE		DATE	4/3/13	FRESH OPTIONS	
REV	DESCRIPTION	NAME	DATE	DWG. NO.	TF3300

2	ADDED 2ND 3/8" DIA. HOLE @ 12-1/8" H	AKG	4/8/13
1	3/8" DIA. HOLE TO BE @ 9-1/2" H	AKG	4/3/13
REV	DESCRIPTION	NAME	DATE