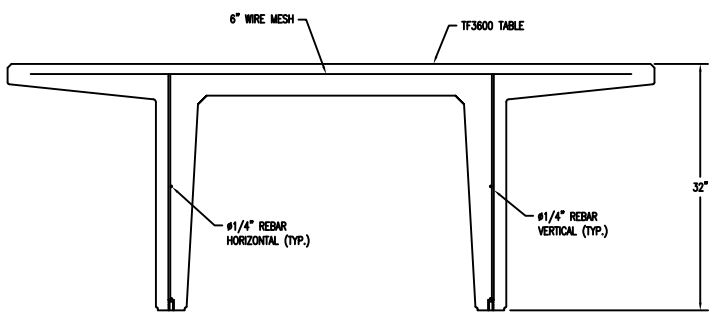
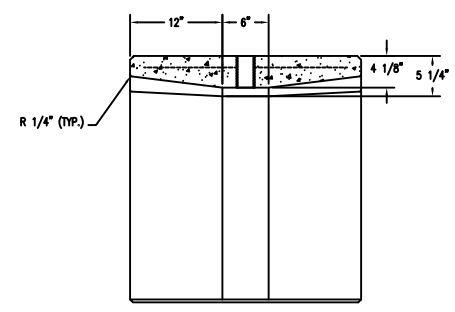


1 TOP VIEW
Scale: 1/8" = 1"



2 ELEVATION VIEW
Scale: 1/8" = 1"



4 SECTION VIEW
Scale: 1/8" = 1"

DRAWN BY PAW		JOB		MATERIAL CONCRETE	
TITLE		JOB NO.		WEIGHT 2620 LBS	
SCALE AS NOTED		DATE 2/1/11		FRESH OPTIONS TF3225	
UNLESS OTHERWISE SPECIFIED		FINISH		DWG. NO.	
INDICATED ARE IN INCHES		FRACIONS & 1/8"		1 OF 1	

REV	DESCRIPTION	NAME	DATE
1	REVISED WIRE	MJS	07/23/14

PA, INC 1200 WINDYBUSH BLVD SUITE 200 WAUSAU, WI 54983
 P: 715.848.2222 FAX: 715.848.2223
 WWW.WAUSAUTILE.COM