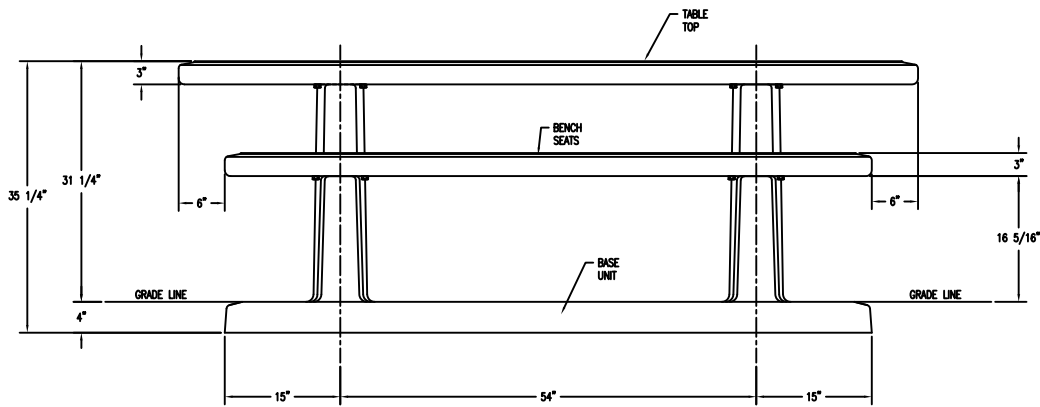
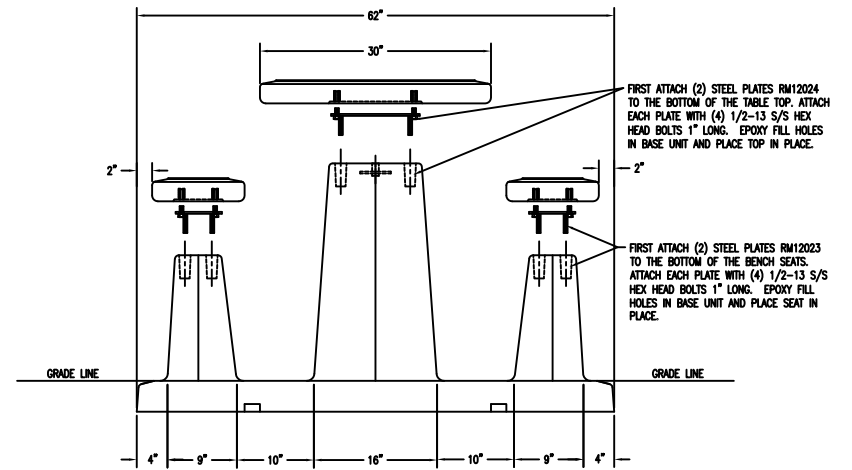


1 TOP VIEW OF ASSEMBLED TF3215 TABLE SET
Scale: 1/8" = 1'



2 SIDE VIEW OF ASSEMBLED TF3215 TABLE SET
Scale: 1/8" = 1'

SCHEDULE FOR TF3215 STANDARD TABLE UNIT		
QTY	RM NUMBER	PART DESCRIPTION
4	RM12023	8" x 6" X 1/4" STEEL BRACKET, POWDER COATED BLACK, FOR SEATS
2	RM12024	11 1/2" x 8" X 1/4" STEEL BRACKET, POWDER COATED BLACK, FOR TABLE TOP
24	70205	1/2-13 S/S HEX HEAD BOLTS, 1" LONG



3 ASSEMBLY DETAIL - SIDE VIEW OF TF3215 TABLE SET
Scale: 1/8" = 1'

WAUSAU TILE SITE FURNISHINGS						P.A. NO. 1500 - ORIGINAL DESIGN 0442-1500 044/20-0720 E-MAIL: WILKINS@TILE.COM WEB SITE: WILKINS@TILE.COM		
REVISIONS			DRAWN BY	P.A.W.	JOB	MATERIAL	CONCRETE	
NO.	DATE	BY	NO.	DATE	BY	WEIGHT	LBS	
1			4					
2			5					
3			6					
			JOB NO.	CO	LOCATION			
			SCALE	AS NOTED				
			UNLESS OTHERWISE SPECIFIED DIMENSIONS ARE IN INCHES TOLERANCES ± 1/8"		DATE	2/3/10	ITEM NO.	TF3215
					FINISH	OPTICAL	DWG. NO.	1 OF 3