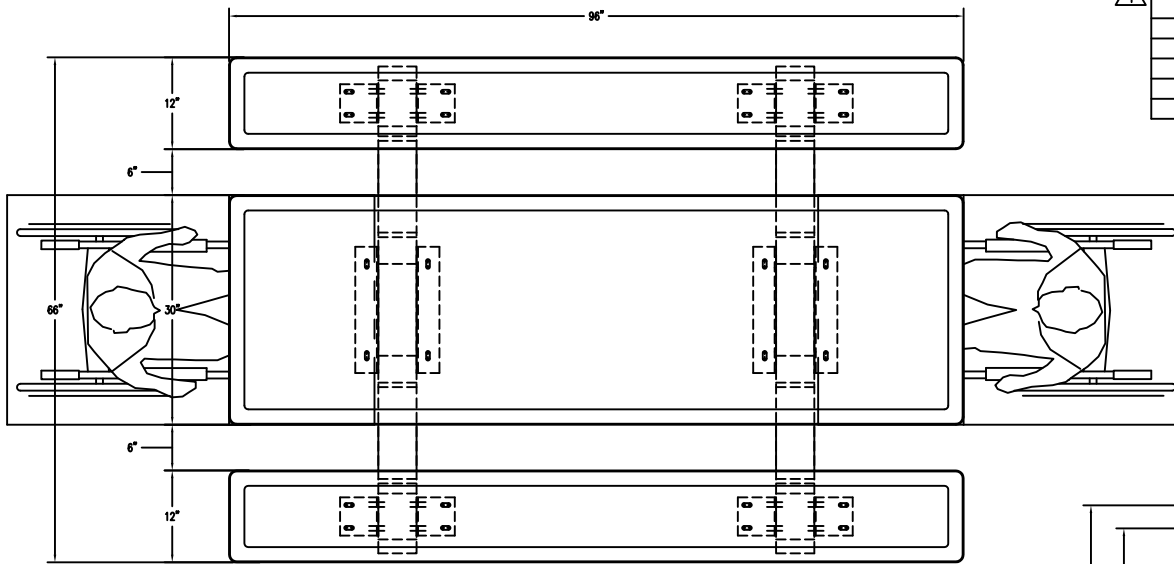
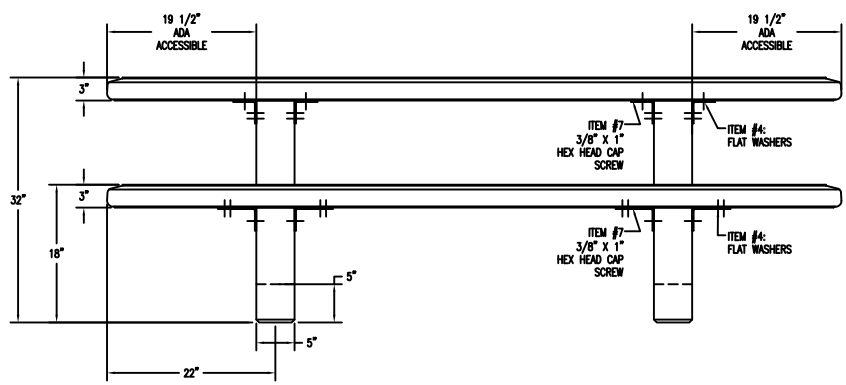


BOLT KIT: TF3155

ITEM NO.	DESCRIPTION	WT.	PART NO.	QTY.
1	CAST TABLE TOP 96" X 30"	750 LBS	TF3559	1
2	CAST SEAT TOP 96" X 12"	300 LBS	TF3560	2
3	CAST LEGS	215 LBS	TF3631	2
4	3/8" X 7/8" FLAT WASHERS, ZINC		PP11069	48
5	3" X 5" SEAT-TO-LEG BRACKETS 3/16" THICK	5 LBS	700926	8
6	3" X 3" TABLE-TO-LEG BRACKETS 3/16" THICK	2 LBS	700925	4
7	3/8"-16 X 1" HEX HEAD CAP SCREW, ZINC		RM10449	24
8	3/8"-16 X 6 1/2" HEX HEAD CAP SCREW, ZINC		400204	12
9	3/8"-16 NYLON INSERT LOCK NUT		PP10049	12

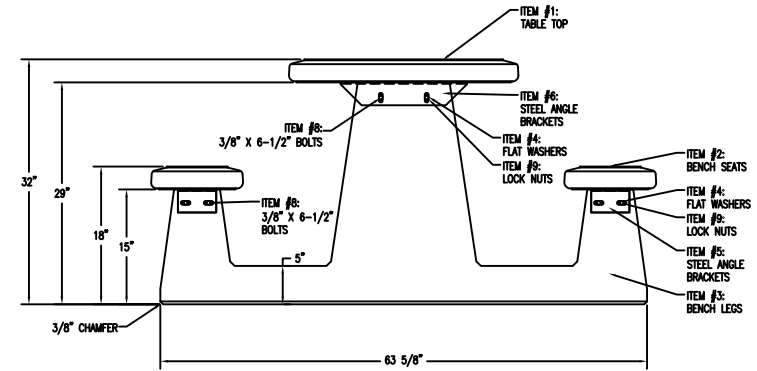


1 PLAN VIEW - TABLE SET
 Scale: 1/8" = 1"



2 ELEVATION VIEW - TABLE SET
 Scale: 1/8" = 1"

BOTH TABLE ENDS ARE
 ADA COMPLIANT BY FEDERAL REGULATIONS



3 SIDE ELEVATION VIEW - TABLE SET
 Scale: 1/8" = 1"

SIGN BELOW IF DRAWINGS ARE
 APPROVED W/ MARKED CHANGES

APPROVED: _____

DATE: _____

(SIGNATURE ABOVE ILLUSTRATES ACCEPTANCE OF DIMENSIONS SHOWN.)

REVISIONS

NO.	NAME	DATE	NOTES
1	SKD	10/16/14	update manufacturing notes to match
2			
3			
4			
5			
6			
7			
8			

CONFIDENTIAL INFORMATION
 THESE DRAWING, SPECIFICATIONS AND
 OTHER INFORMATION AND DOCUMENTS
 ACCOMPANYING THEM ARE THE
 CONFIDENTIAL AND PROPRIETARY
 PROPERTY OF WAUSAU TILE, INC. THE
 DRAWINGS THEMSELVES SHALL BELONG
 TO THE OWNER FOR USE ONLY ON THE
 PROJECT. ANY ADDITIONAL USE SHALL
 REQUIRE THE PRIOR WRITTEN APPROVAL
 OF WAUSAU TILE, INC. THE
 PROPRIETARY INFORMATION CONTAINED
 WITHIN THE DRAWINGS AND THE
 DOCUMENTS IS AND SHALL REMAIN THE
 SOLE PROPERTY OF WAUSAU TILE, INC

JOB LOCATION
 8' TABLE SET

UNLESS OTHERWISE SPECIFIED
 DIMENSIONS ARE IN INCHES
 FRACTIONS ± 1/8"

DRAWN BY: AKG
DATE: 1/23/12
MATERIAL: #
JOB NUMBER: #
WEIGHT: #
MIX DESIGN NO: #
SHEET NO.

TF3212-8'