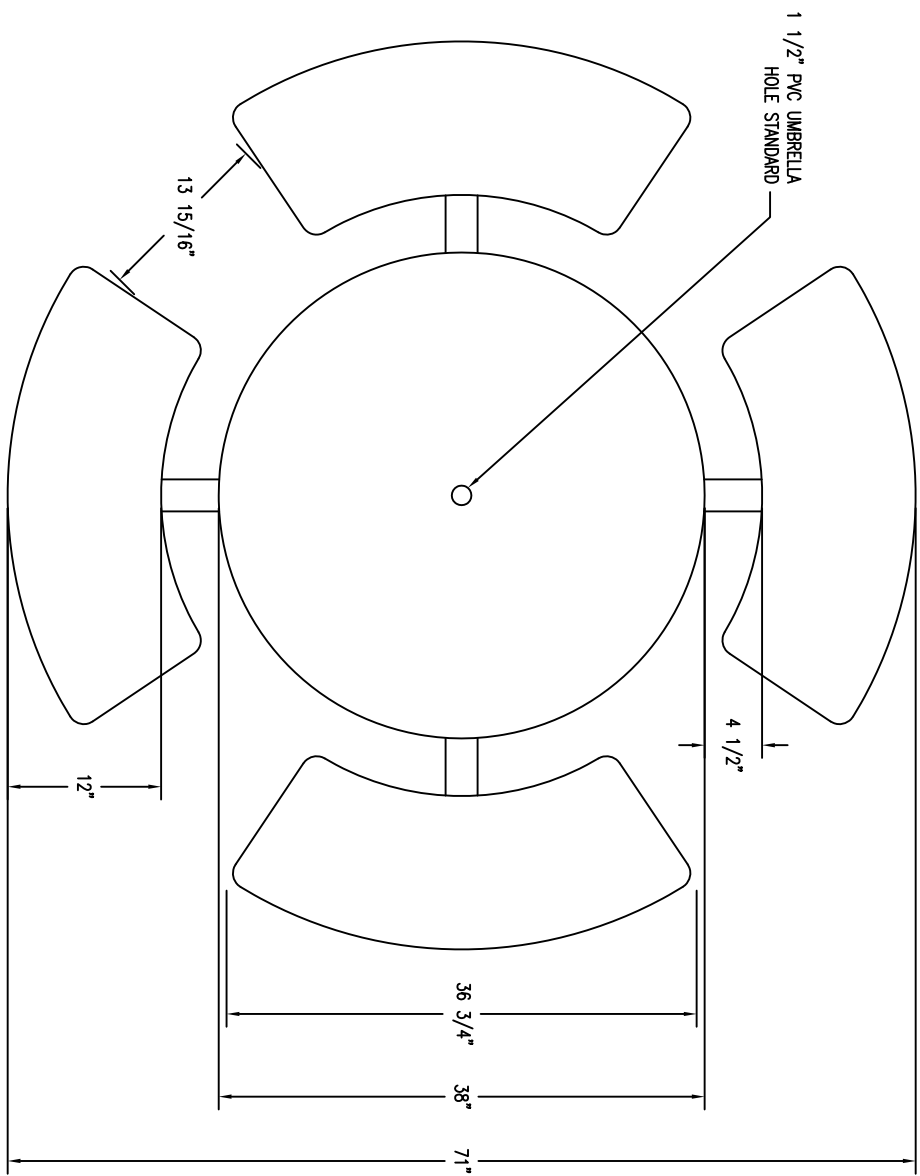
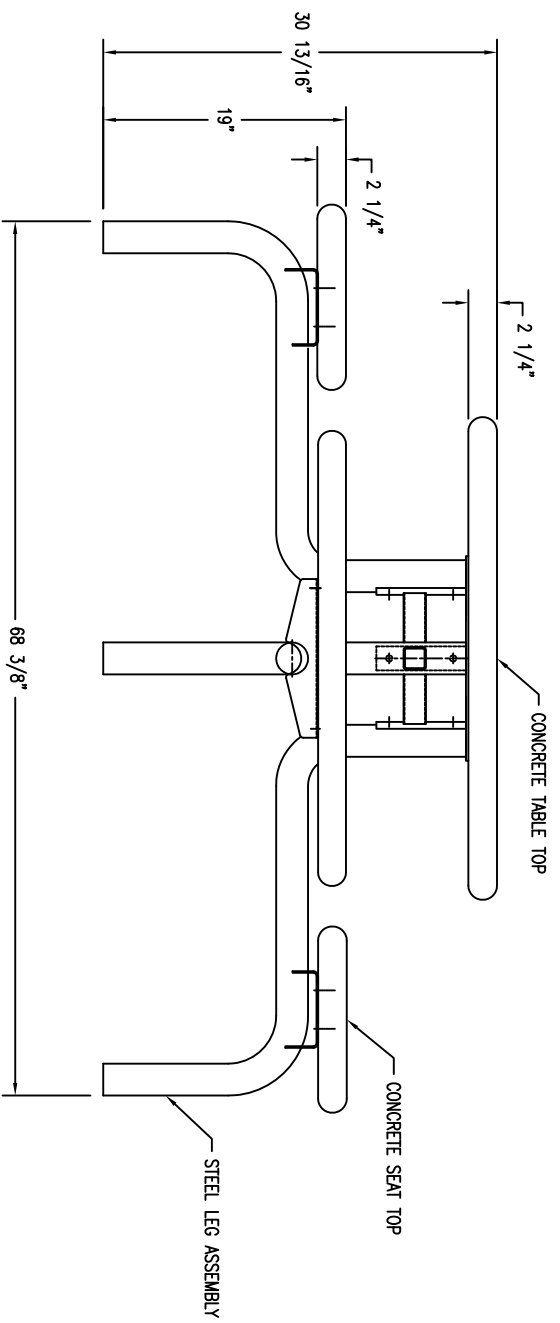


PARTS LIST			
ITEM	DESCRIPTION	QTY	PART #
1	METAL TUBE LEG	4	200276
2	CENTER SUPPORT	1	200332
3	TABLE TOP	1	TF31382
4	SEAT TOP	4	TF31383
5	3/8"-16 X 1" BOLT	28	RM 10261



1 TOP VIEW



2 SIDE VIEW

NAME	DATE	NOTES
1	---	---
2	---	---
3	---	---
4	---	---
5	---	---
6	---	---
7	---	---
8	---	---

CONFIDENTIAL INFORMATION
THESE DRAWINGS, SPECIFICATIONS AND OTHER INFORMATION AND DOCUMENTS ACCOMPANYING THEM ARE THE CONFIDENTIAL AND PROPRIETARY PROPERTY OF WAUSAU TILE, INC. THE DRAWINGS THEMSELVES SHALL BELONG TO THE OWNER FOR USE ONLY ON THE PROJECT. ANY ADDITIONAL USE SHALL REQUIRE THE PRIOR WRITTEN APPROVAL OF WAUSAU TILE, INC. THE PROPRIETARY INFORMATION CONTAINED WITHIN THE DRAWINGS AND THE DOCUMENTS IS AND SHALL REMAIN THE SOLE PROPERTY OF WAUSAU TILE, INC.

JOB NAME _____
LOCATION _____

UNLESS OTHERWISE SPECIFIED
DIMENSIONS ARE IN INCHES
FRACTIONS +- 1/8" TOLERANCE

DRAWN BY: JPZ
DATE: 10/1/14
MATERIAL:
JOB NUMBER:
WEIGHT:
MIX DESIGN NO.

SHEET NO.

TF3138