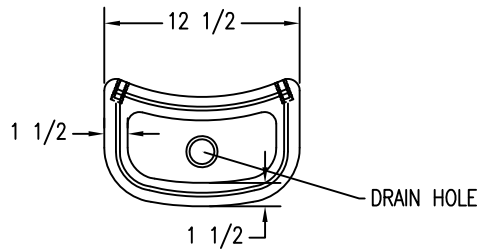
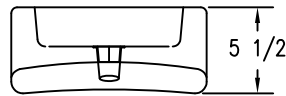


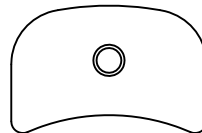
5 SNUFFER LOCATION  
Scale: 1/8" = 1"



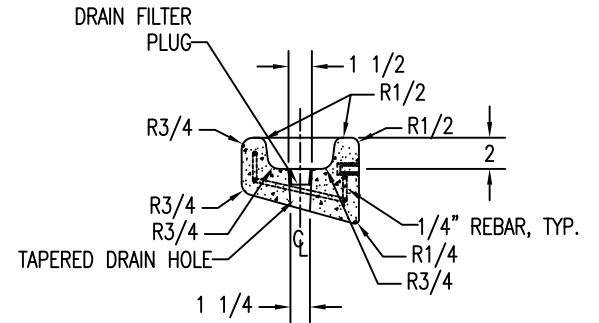
1 TOP VIEW  
Scale: 1/8" = 1"



2 FRONT VIEW  
Scale: 1/8" = 1"



3 BACK VIEW  
Scale: 1/8" = 1"



4 CROSS SECTION  
Scale: 1/8" = 1"

## WAUSAU TILE SITE FURNISHINGS

P.O. BOX 1520 WAUSAU, WISCONSIN 54402-1520 800/388-8728  
P.O. BOX 967 BANNING, CALIFORNIA 92220 800/231-4836

REVISIONS						DRAWN BY	JOB		MATERIAL		
NO.	DATE	BY	NO.	DATE	BY	P.A.W.			CONCRETE		
1			4				JOB NO.		WEIGHT		
2			5				LOCATION		ITEM NO. TF2091 SNUFFER FOR ROUND UNITS		
3			6				SCALE	AS NOTED	UNLESS OTHERWISE SPECIFIED DIMENSIONS ARE IN INCHES TOLERANCES: ±1/8"	DATE 1/15/10	DWG. NO. 1 OF 1
								FINISH OPTIONS			