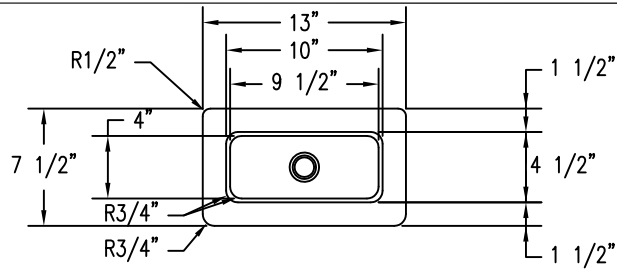
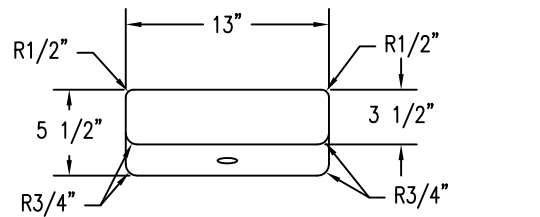


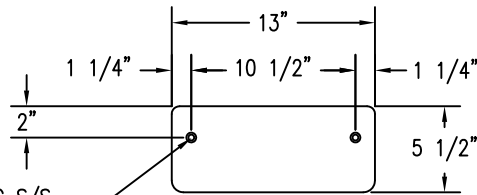
5 SNUFFER LOCATION ON W-19
Scale: 1/8" = 1"



1 TOP VIEW OF TF2090 SNUFFER
Scale: 1/8" = 1"

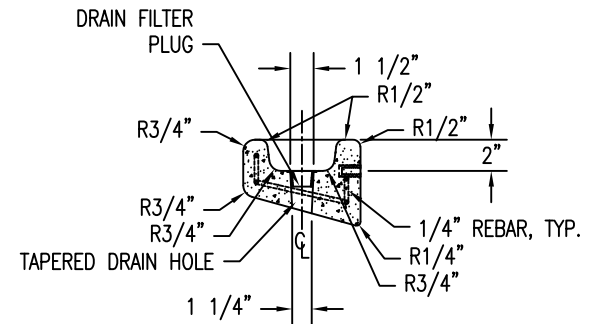


2 FRONT VIEW OF TF2090 SNUFFER
Scale: 1/8" = 1"



3 BACK VIEW OF TF2090 SNUFFER
Scale: 1/8" = 1"

(2) 3/8-16 UNC S/S
THREADED INSERTS



4 CROSS SECTION
Scale: 1/8" = 1"

WAUSAU TILE SITE FURNISHINGS

P.O. BOX 1520 WAUSAU, WISCONSIN 54402-1520 800/388-8728
P.O. BOX 967 BANNING, CALIFORNIA 92220 800/231-4836

REVISIONS						DRAWN BY	JOB		MATERIAL		
NO.	DATE	BY	NO.	DATE	BY	P.A.W.			CONCRETE		
1			4				JOB NO.		WEIGHT		
2			5				LOCATION		ITEM NO. TF2090 SNUFFER FOR FLAT UNITS		
3			6				SCALE	AS NOTED	UNLESS OTHERWISE SPECIFIED DIMENSIONS ARE IN INCHES TOLERANCES: ±1/8"	DATE	1/15/10
									FINISH OPTIONS	DWG. NO. 1 OF 1	