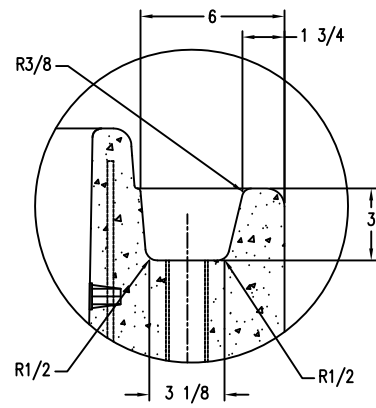
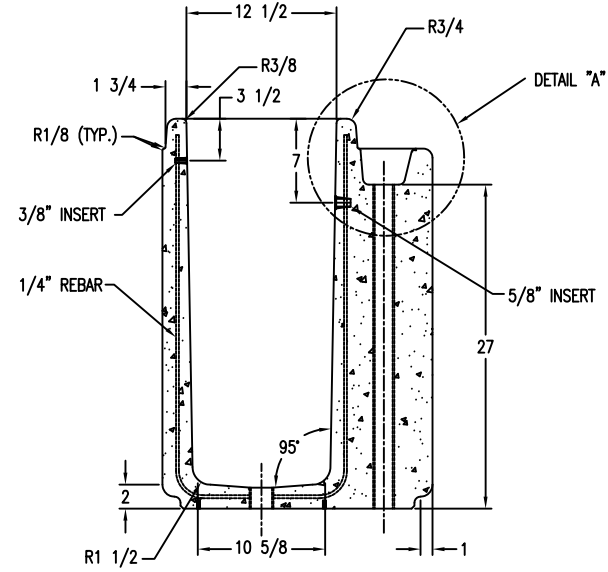


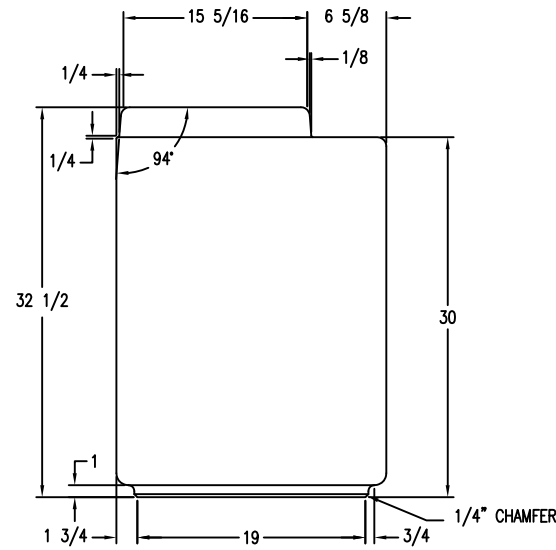
1 TOP VIEW
Scale: 1/8" = 1'



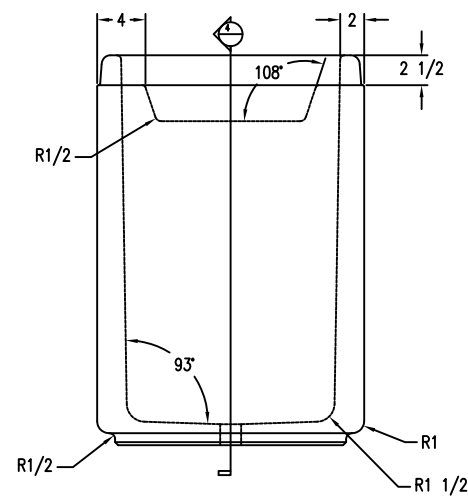
DETAIL "A"



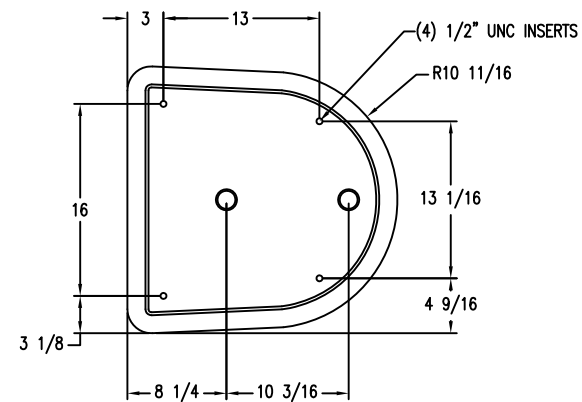
4 SECTION VIEW
Scale: 1/8" = 1'



2 ELEVATION VIEW
Scale: 1/8" = 1'



3 SIDE VIEW
Scale: 1/8" = 1'



5 BOTTOM VIEW
Scale: 1/8" = 1'

WAUSAU TILE		P.O. BOX 1520 WAUSAU, WISCONSIN 54402-1520 800/388-8728 E-MAIL: WTILE@WAUSAUTILE.COM WEB SITE: WWW.WAUSAUTILE.COM	
DRAWN BY	LBE	JOB	MATERIAL CONCRETE
TITLE	TF2085 SNUFFER	JOB NO.	WEIGHT 700 LBS
SCALE	1/8"=1'	UNLESS OTHERWISE SPECIFIED DIMENSIONS ARE IN INCHES FRACTIONS ± 1/8	DATE 3/26/08 FINISH OPTIONS
1	UPDATED DRAWING	JPZ	01/09/12
REV	DESCRIPTION	NAME	DATE

1	UPDATED DRAWING	JPZ	01/09/12
REV	DESCRIPTION	NAME	DATE