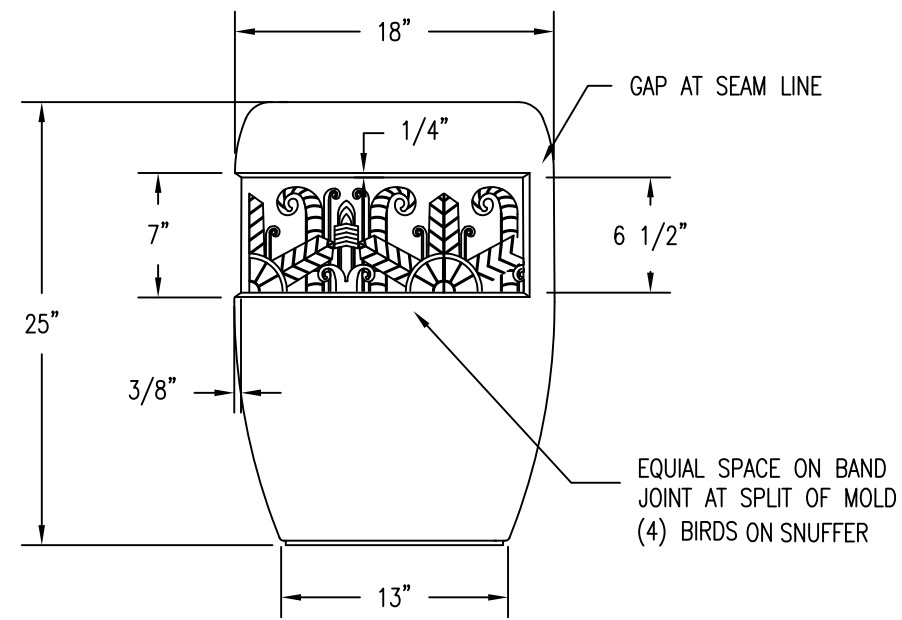
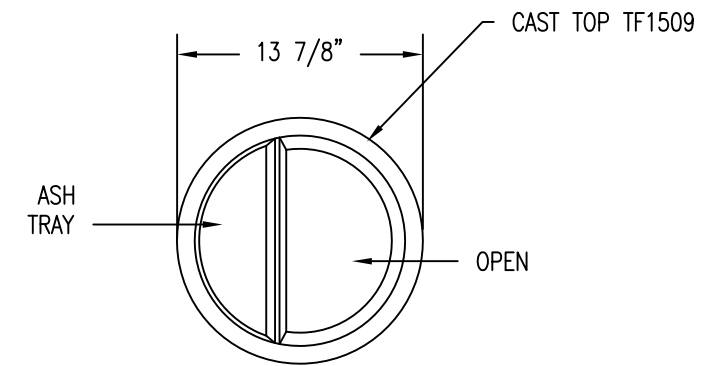
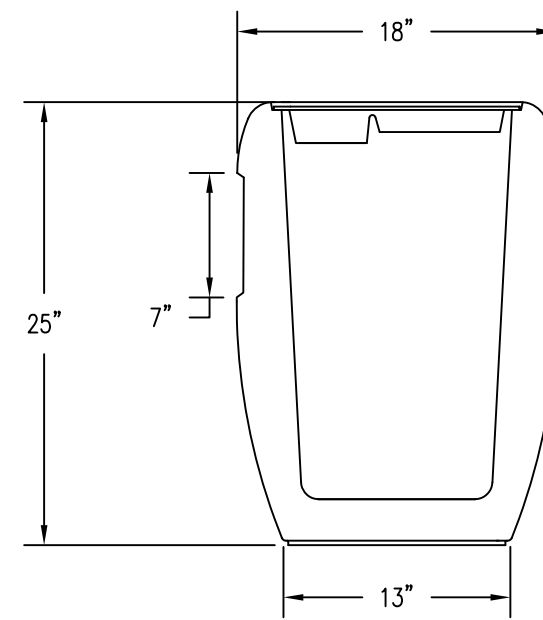


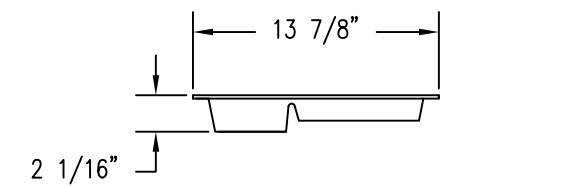
TOP VIEW



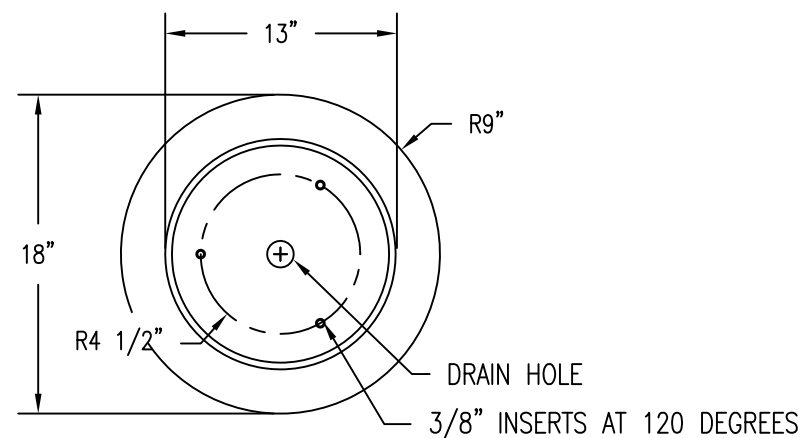
SIDE VIEW



SECTION VIEW



TF1509 CAST ALUMINUM TOP



BOTTOM VIEW

WAUSAU TILE SITE FURNISHINGS						P.O. BOX 1520 WAUSAU, WISCONSIN 54402-1520 800/388-8728		P.O. BOX 967 BANNING, CALIFORNIA 92220 877-849-5695							
DRAWN BY			RJH			JOB		ASH & TRASH TF2059		MATERIAL		WAUSAU, WI.			
NO.			DATE			TITLE			LOCATION:			WEIGHT		290 LBS	
1						SCALE			UNLESS OTHERWISE SPECIFIED			DATE		9/5/06	
2						1/8" = 1"			DIMENSIONS ARE IN INCHES			FINISH		XXXX	
3						JOB NO: XXXXXX			ANGLES ±0.5°			DWG. NO.			
									2 PL ±0.01 3 PL ±0.005						