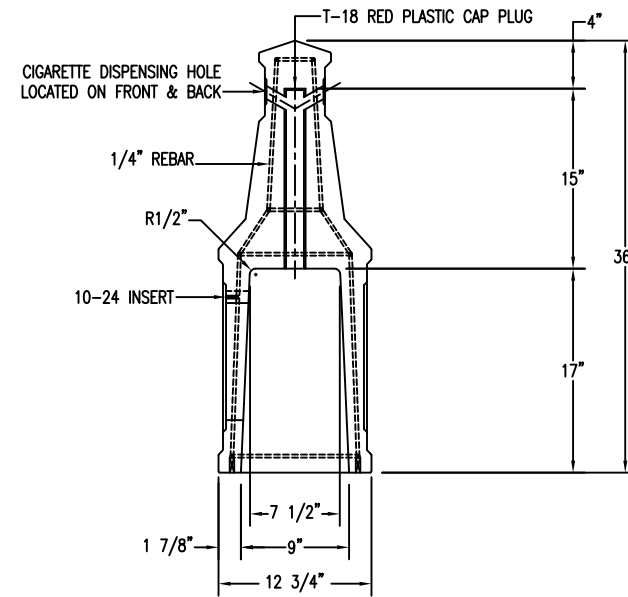
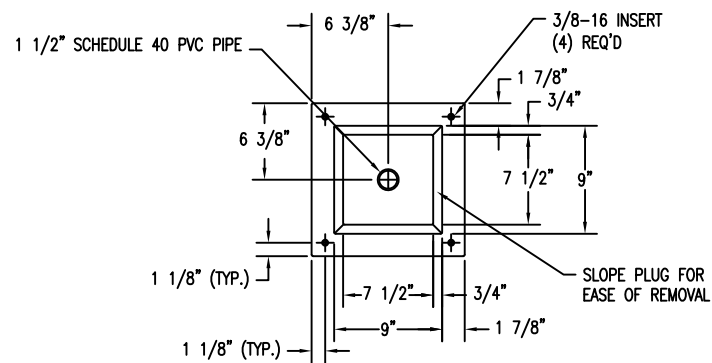


1 FRONT ELEVATION VIEW
Scale: 1 1/2" = 1'-0"



3 SECTION SIDE VIEW
Scale: 1 1/2" = 1'-0"



2 BOTTOM VIEW OF SNUFFER
Scale: 1 1/2" = 1'-0"

WAUSAU TILE SITE FURNISHINGS						P.O. BOX 1520 WAUSAU, WISCONSIN 54402-1520 800/386-8728		P.O. BOX 967 BANNING, CALIFORNIA 92220 800/231-4836		
REVISIONS						DRAWN BY	JOB	MATERIAL		
NO.	DATE	BY	NO.	DATE	BY	TITLE	JOB NO.	WEIGHT	CONCRETE	
1			4			SCALE 1/8	UNLESS OTHERWISE SPECIFIED DIMENSIONS ARE IN INCHES ANGLES 45/5	2 PL. ± 0.01 3 PL. ± 0.005	DATE	FINISH
2			5						11/24/07	B, C, E
3			6						DWG. NO.	TF2053