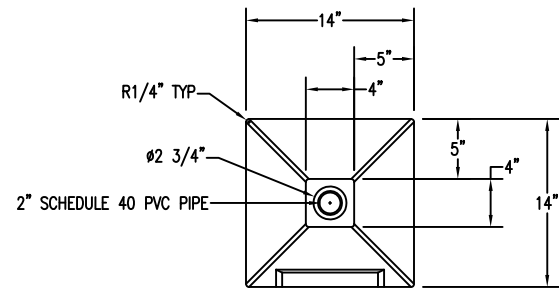
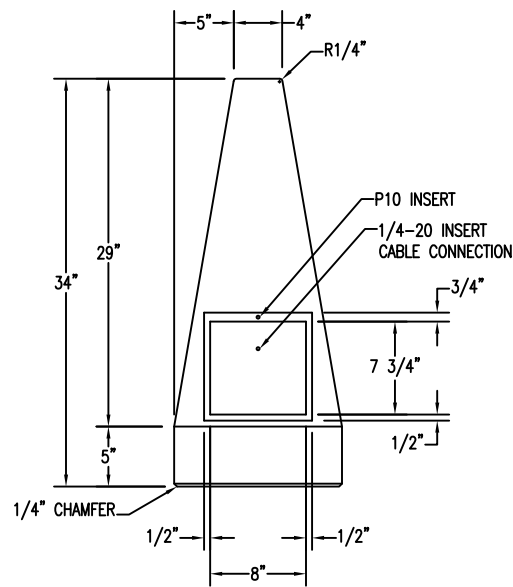


REVISIONS

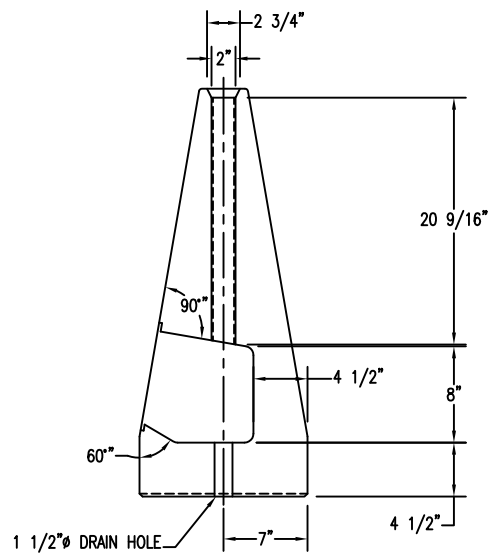
NAME	DATE	NOTES
1	----	----
2	----	----
3	----	----
4	----	----
5	----	----
6	----	----
7	----	----
8	----	----



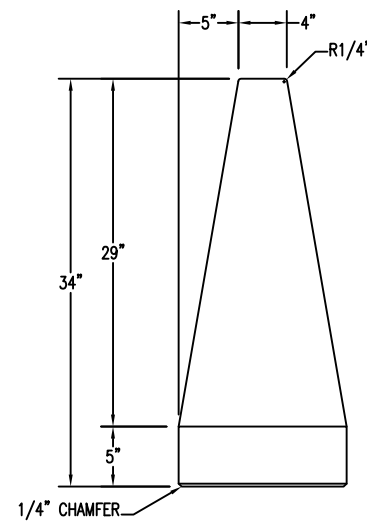
1 TOP VIEW OF SNUFFER



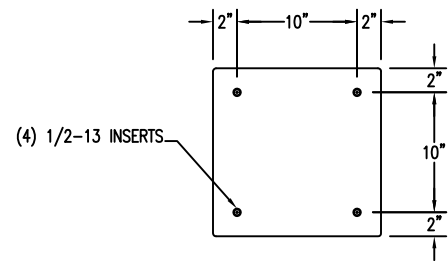
2 BACK VIEW OF SNUFFER



4 SIDE SECTION VIEW



5 FRONT VIEW OF SNUFFER



3 BOTTOM VIEW OF SNUFFER

CONFIDENTIAL INFORMATION
THESE DRAWING, SPECIFICATIONS AND OTHER INFORMATION AND DOCUMENTS ACCOMPANYING THEM ARE THE CONFIDENTIAL AND PROPRIETARY PROPERTY OF WAUSAU TILE, INC. THE DRAWINGS THEMSELVES SHALL BELONG TO THE OWNER FOR USE ONLY ON THE PROJECT. ANY ADDITIONAL USE SHALL REQUIRE THE PRIOR WRITTEN APPROVAL OF WAUSAU TILE, INC. THE PROPRIETARY INFORMATION CONTAINED WITHIN THE DRAWINGS AND THE DOCUMENTS IS AND SHALL REMAIN THE SOLE PROPERTY OF WAUSAU TILE, INC

WAUSAU TILE

WAUSAU, WI

UNLESS OTHERWISE SPECIFIED
DIMENSIONS ARE IN INCHES
FRACTIONS ± 1/8"

DRAWN BY: TAS

DATE: 11/2/16

MATERIAL:

JOB NAME: ?

WEIGHT:

PRODUCT NO.

TF2052