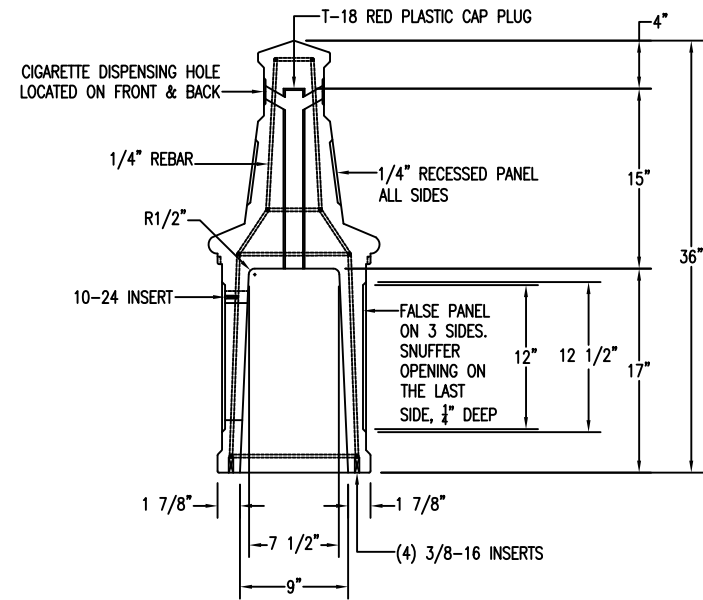
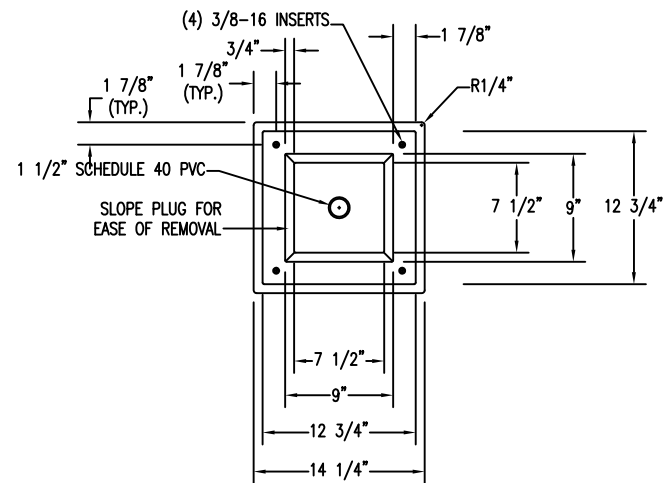


1 FRONT ELEVATION VIEW  
Scale: 1 1/2" = 1'-0"



3 SECTION SIDE VIEW  
Scale: 1 1/2" = 1'-0"



2 BOTTOM VIEW OF SNUFFER  
Scale: 1 1/2" = 1'-0"

WAUSAU TILE SITE FURNISHINGS						P.O. BOX 1520 WAUSAU, WISCONSIN 54402-1520 800/386-8728		P.O. BOX 967 BANNING, CALIFORNIA 92220 800/231-4836	
REVISIONS						DRAWN BY	JOB	MATERIAL	
NO.	DATE	BY	NO.	DATE	BY	TITLE	JOB NO.	WEIGHT	CONCRETE
1			4			SCALE 1/8		255 LBS.	B, C, E
2			5			CHECKED 3-11-08	UNLESS OTHERWISE SPECIFIED DIMENSIONS ARE IN INCHES ANGLES 90°	DATE 11/29/07	FINISH OPTIONS B, C, E
3			6				2 PL ±0.01 3 PL ±0.005	DWG. NO. TF2049	