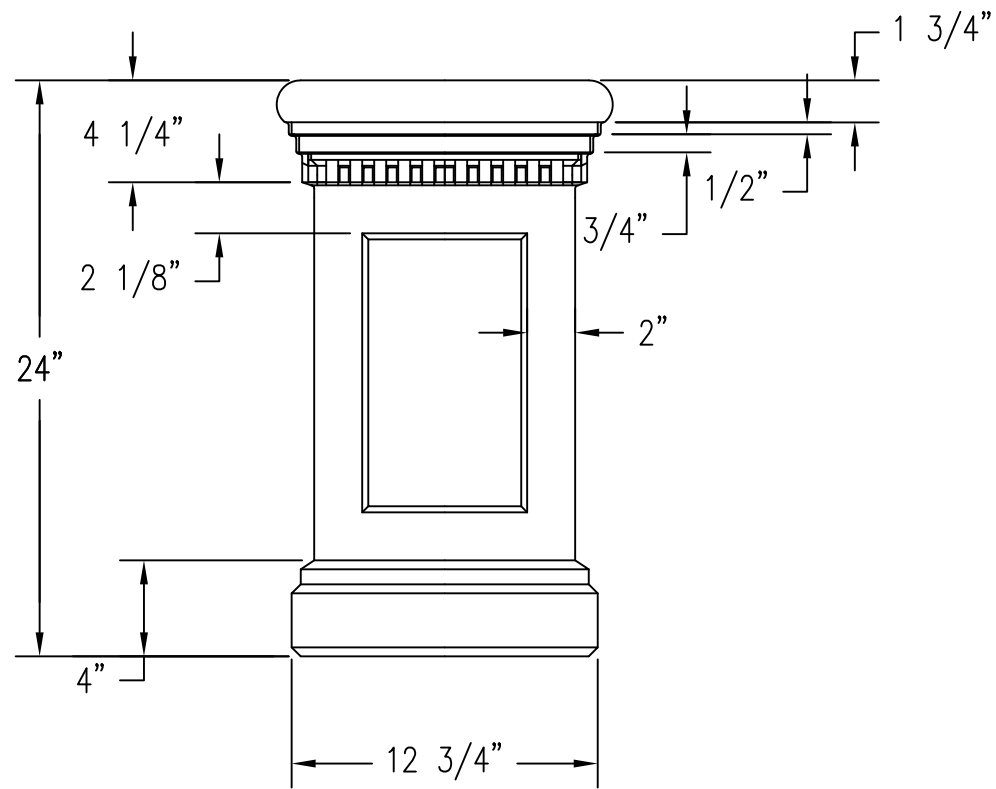
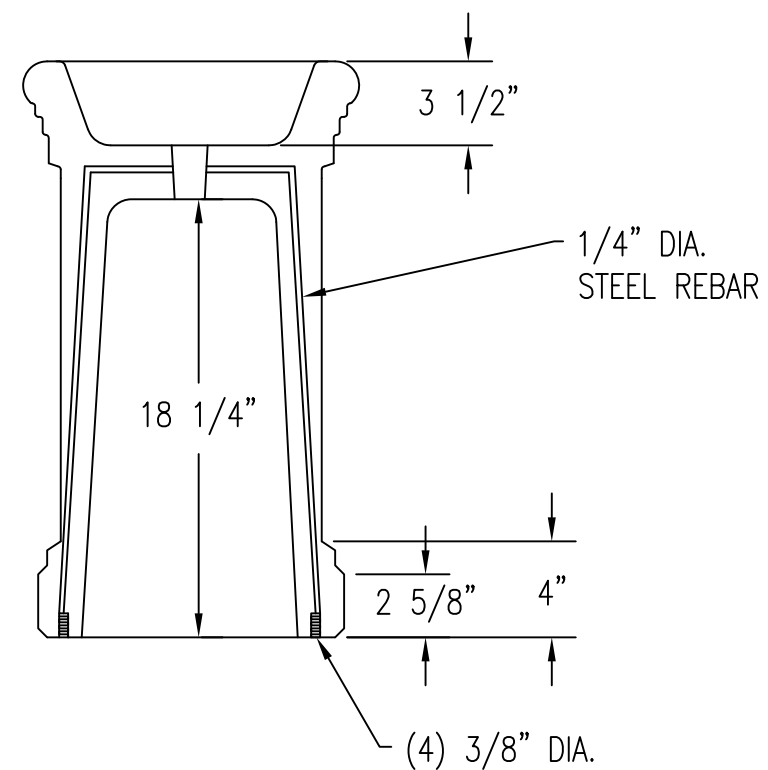


TOP VIEW



SIDE VIEW



SECTION VIEW

(4) 3/8" DIA. THREADED INSERTS

WAUSAU TILE		P.O. BOX 1520 WAUSAU WISCONSIN 54402-1520 800/388-8728 E-MAIL: WTL@WAUSAUTILE.COM WEB SITE: WWW.WAUSAUTILE.COM	
DRAWN BY	JPZ	JOB	MATERIAL CONCRETE
TITLE		JOB NO.	WEIGHT 155 LBS
SCALE		DATE 11/5/12	FINISH OPTIONS
		UNLESS OTHERWISE SPECIFIED DIMENSIONS ARE IN INCHES FRACTIONS ± 1/8	DWG. NO. TF2036

REV	DESCRIPTION	NAME	DATE
1	----	---	---/---/---