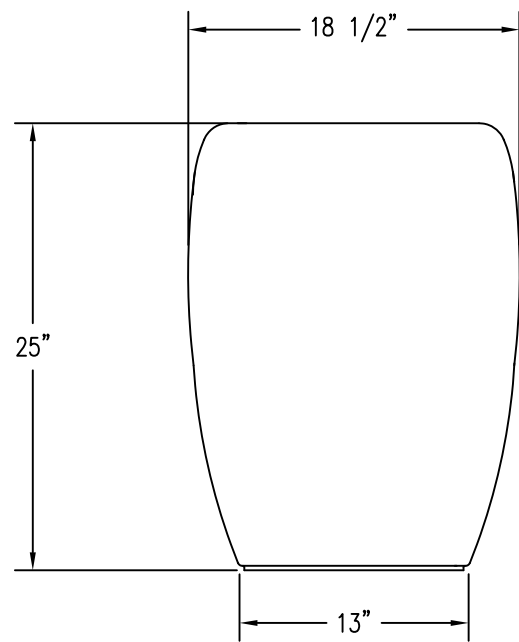
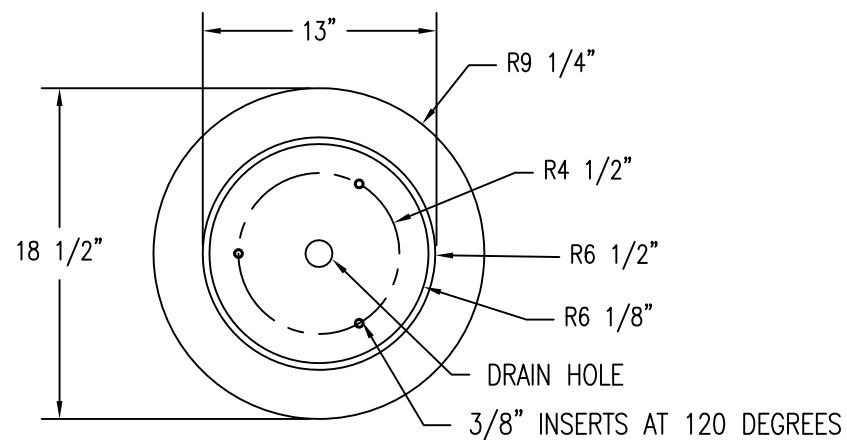


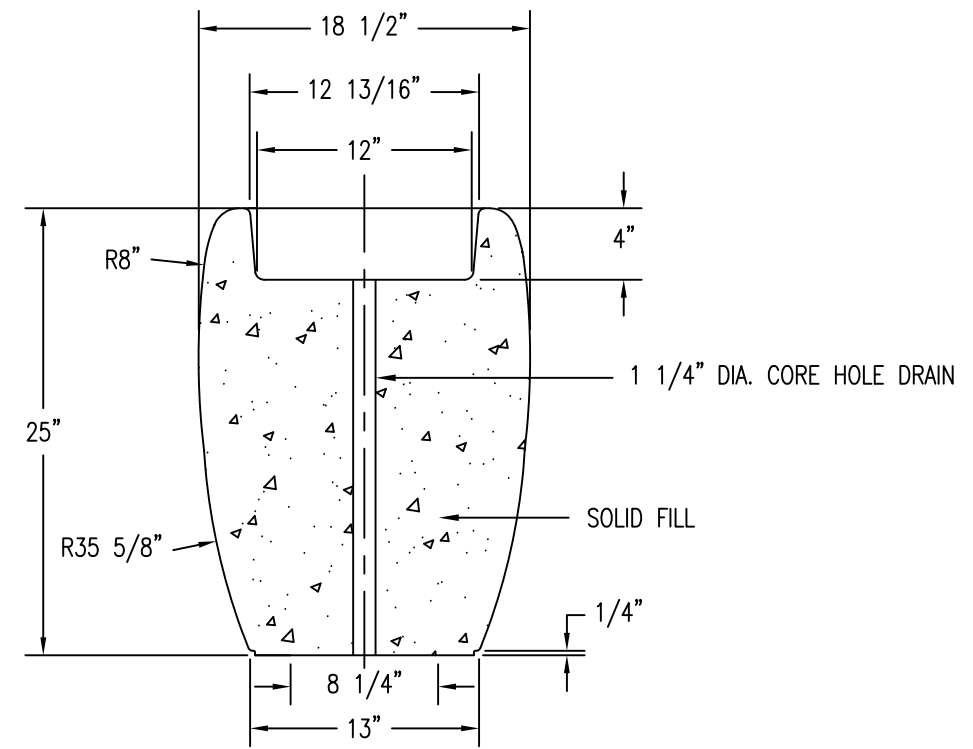
TOP VIEW



SIDE VIEW



BOTTOM VIEW



SIDE VIEW OF SNUFFER NO BAND

WAUSAU TILE SITE FURNISHINGS						P.O. BOX 1520 WAUSAU, WISCONSIN 54402-1520 800/388-8728 E-MAIL: WTL@WAUSAUTILE.COM WEB SITE: WWW.WAUSAUTILE.COM	
DRAWN BY LBE			JOB			MATERIAL CONCRETE	
NO. DATE BY NO. DATE BY			JOB NO.			LOCATION	
SCALE AS NOTED			DATE			WEIGHT 380 LBS	
FINISH OPTIONS			UNLESS OTHERWISE SPECIFIED DIMENSIONS ARE IN INCHES TOLERANCES: ± 1/8"			ITEM NO. TF2030	
						DWG. NO. 1 OF 1	