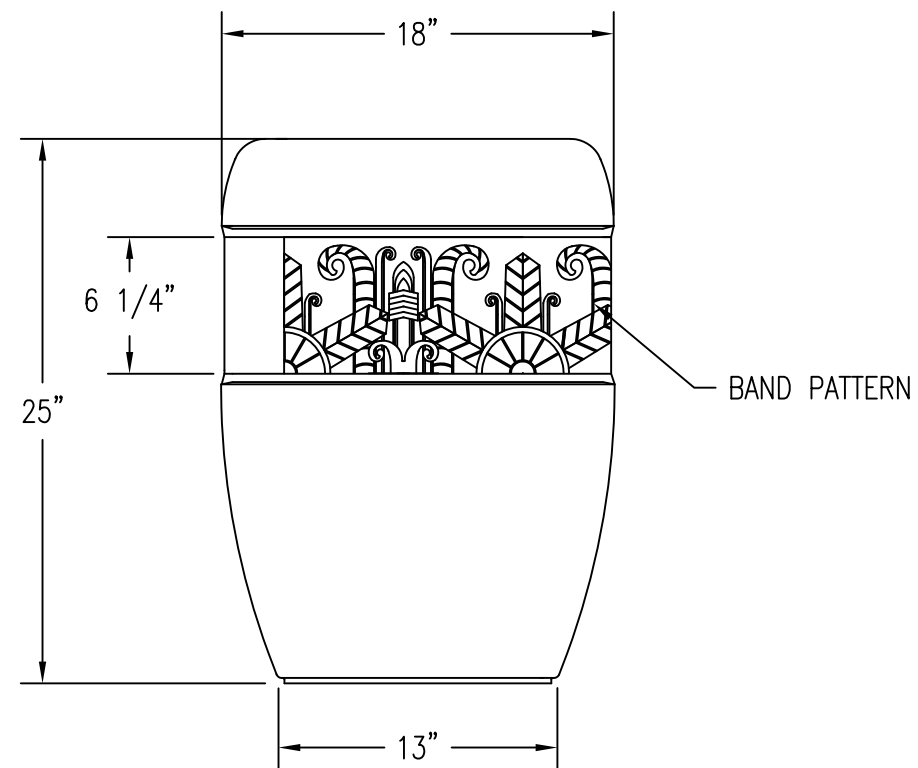
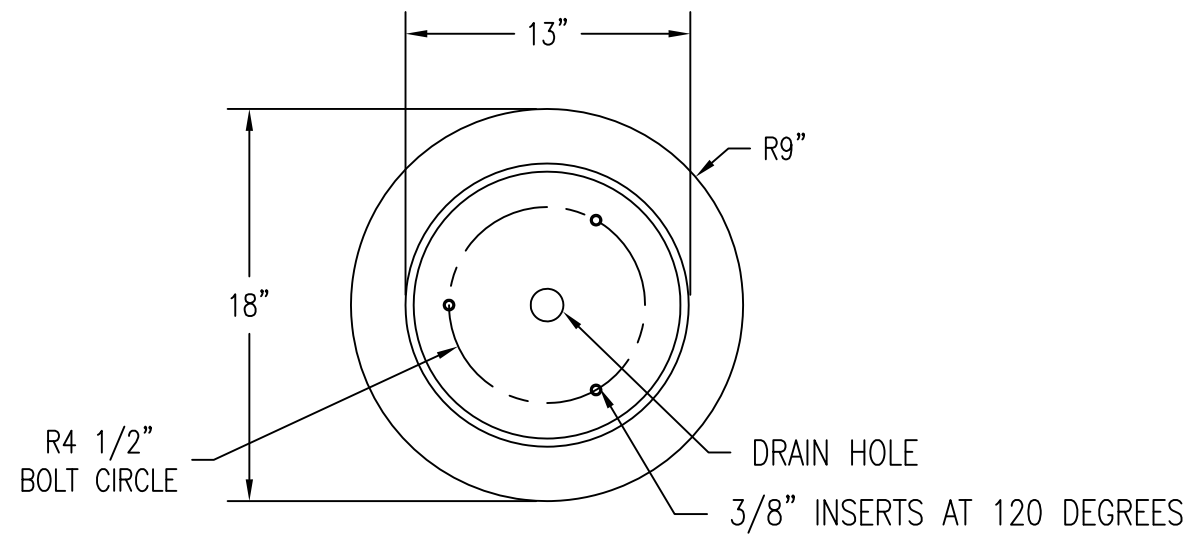


TOP VIEW



FRONT VIEW



BOTTOM VIEW

WAUSAU TILE SITE FURNISHINGS							P.O. BOX 1520 WAUSAU, WISCONSIN 54402-1520 800/388-8728		
E-MAIL: <a href="mailto:WILE@WAUSAUTILE.COM">WILE@WAUSAUTILE.COM</a>							WEB SITE: <a href="http://WWW.WAUSAUTILE.COM">WWW.WAUSAUTILE.COM</a>		
REVISIONS			DRAWN BY P.A.W.		JOB		MATERIAL CONCRETE		
NO.	DATE	BY	NO.	DATE	BY	JOB NO.	LOCATION		
1	10/22/10	PAW	4			SCALE AS NOTED	UNLESS OTHERWISE SPECIFIED TOLERANCES: ± 1/8"	DATE 10/6/10	ITEM NO. TF2030
2			5					DWG. NO. 1 OF 1	
3			6						