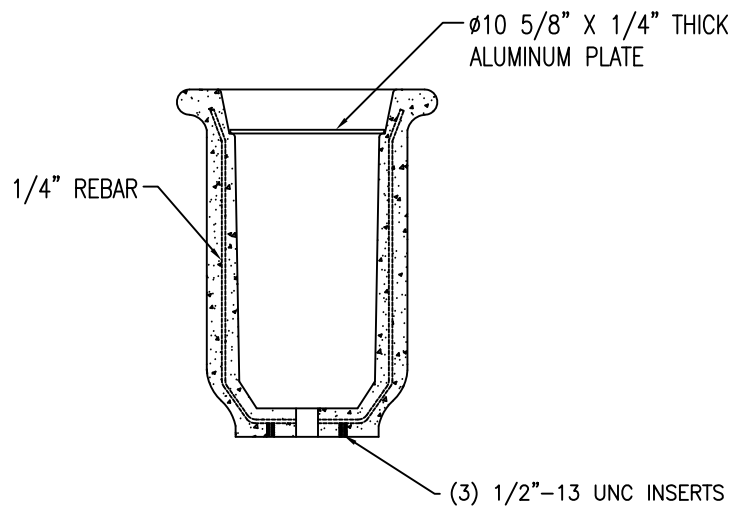
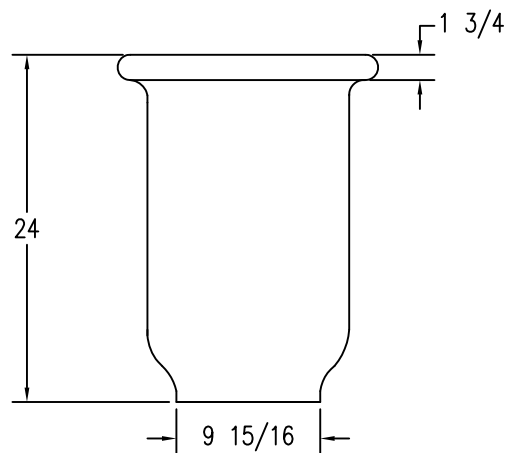


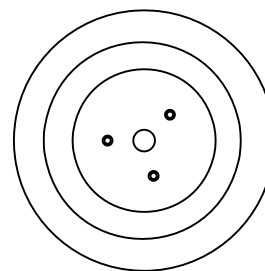
TOP VIEW



SECTION A-A



FRONT VIEW



REVISIONS						DRAWN BY	JOB	MATERIAL	
NO.	DATE	BY	NO.	DATE	BY	TITLE	JOB NO.	WEIGHT	
1			4			LBE			
2			5				SCALE	UNLESS OTHERWISE SPECIFIED DIMENSIONS ARE IN INCHES ANGLES SHOWN	DATE
3			6				CHECKED	2 PL. 2010 3 PL. 2010S	FINISH OPTIONS

P.O. BOX 1230 WAUSAU, WISCONSIN 54401-1230 800/288-4728
P.O. BOX 907 DUNSMuir, CALIFORNIA 92321 800/251-4638

DWG. NO. TF2010