



P.O. BOX 1520 WAUSAU, WI 54402-1520
 800-388-8728
 E-MAIL: WTILE@WAUSAUTILE.COM
 WEB SITE: WWW.WAUSAUTILE.COM

REVISION

	DRAWN BY	DATE	NOTES
1			
2			
3			

CONFIDENTIAL INFORMATION
 THESE DRAWING, SPECIFICATIONS AND OTHER INFORMATION AND DOCUMENTS ACCOMPANYING THEM ARE THE CONFIDENTIAL AND PROPRIETARY PROPERTY OF WAUSAU TILE, INC. THE DRAWINGS THEMSELVES SHALL BELONG TO THE OWNER FOR USE ONLY ON THE PROJECT. ANY ADDITIONAL USE SHALL REQUIRE THE PRIOR WRITTEN APPROVAL OF WAUSAU TILE, INC. THE PROPRIETARY INFORMATION CONTAINED WITHIN THE DRAWINGS AND THE DOCUMENTS IS AND SHALL REMAIN THE SOLE PROPERTY OF WAUSAU TILE, INC

PLASTIC SNUFFER ASSY.

UNLESS OTHERWISE SPECIFIED DIMENSIONS ARE IN INCHES, ANGLES $\pm 0.5^\circ$, FRACTIONS $\pm 1/16"$, 2 PL ± 0.01 3 PL ± 0.005

DRAWN BY: M JOHNSON

DATE: 3/4/13

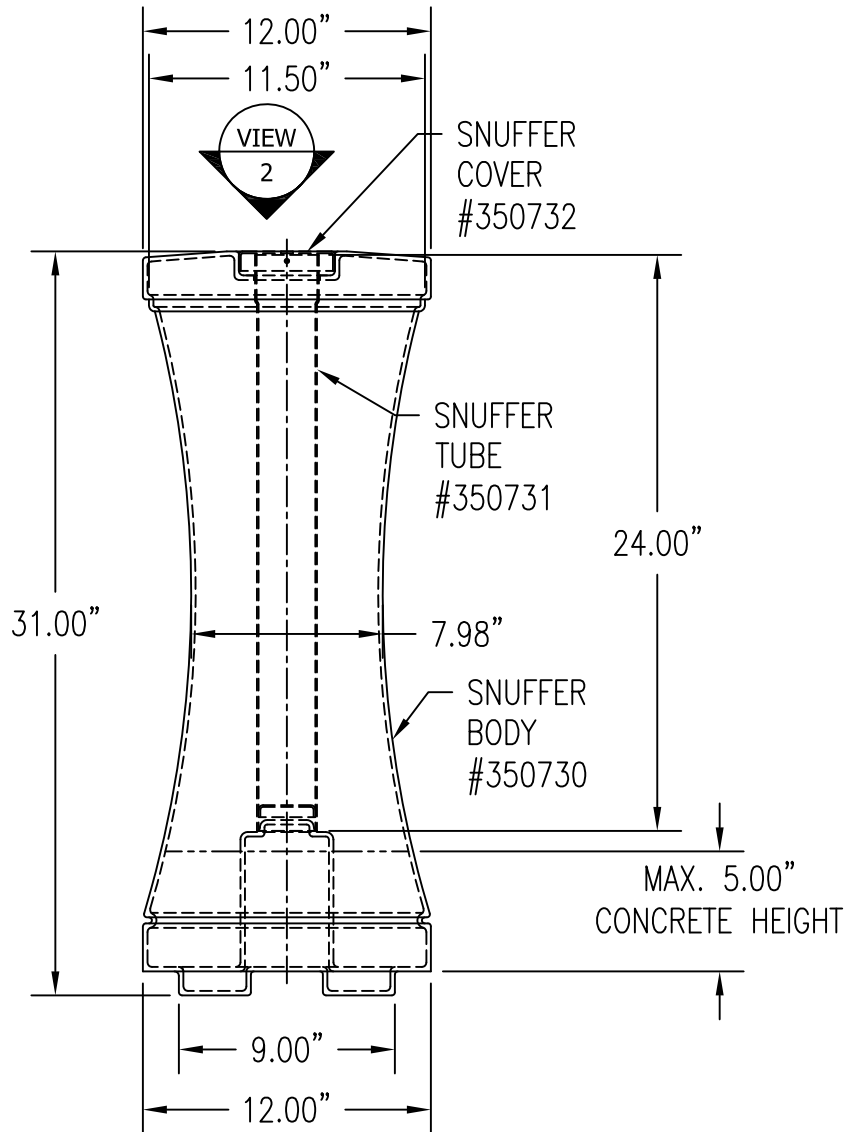
MATERIAL: VARIOUS

SCALE: AS NOTED

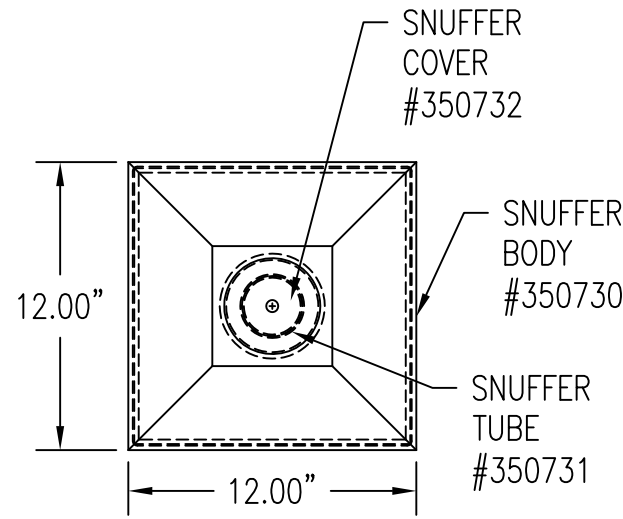
WEIGHT: ?

CO NUMBER: ?

PRODUCT NO. **TF2008**



1 ELEVATION VIEW
 Scale: 1/8" = 1"



2 TOP VIEW
 Scale: 1/8" = 1"