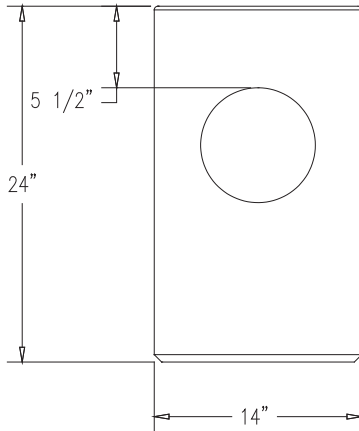


TF2005

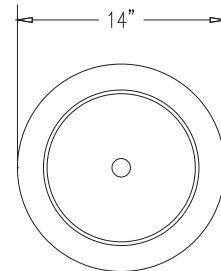
Round Concrete Snuffer with Logo

Product Data

Size	14" dia x 24" h
Weight	190 lbs
Material	Reinforced Concrete (1) 10 lb Bag of Sand (1) Brass Drain Hole
Reinforcing	Fibers
Anchoring	(4) 3/8" Threaded Inserts
Sealed	Factory Sealed
Snuffer Bowl	10 1/2" dia x 3 1/2"
Options	7 3/4" Silk Screen Logo



ELEVATION VIEW



TOP VIEW

Site Furnishings Limited Warranty:

For a period of two (2) years for concrete products, one (1) year for plastic products and five (5) years for metal products when the customer has received their product, Wausau Tile, Inc. warrants its concrete products against defects in workmanship and materials per industry standards. This warranty does not cover the above products for cracking and faulting caused by settling due to an improper base; nor does it cover damage caused by impact, vandalism or natural disaster.

CALL FOR FURTHER DETAILS & PRICING.

P: 800.388.8728 | E: wtile@wausautile.com | WAUSAUTILE.COM