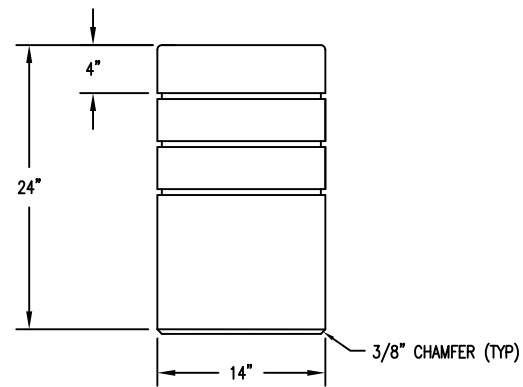
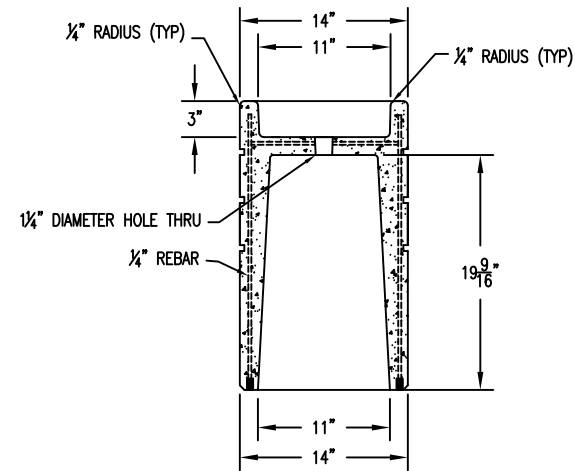


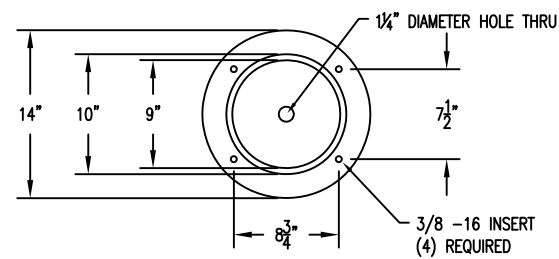
TOP VIEW



ELEVATION



SECTION VIEW



BOTTOM VIEW

WAUSAU TILE SITE FURNISHINGS							P.O. BOX 1520 WAUSAU, WISCONSIN 54402-1520 800/388-8728 E-MAIL: <a href="mailto:WTL@WAUSAUTILE.COM">WTL@WAUSAUTILE.COM</a> WEB SITE: <a href="http://WWW.WAUSAUTILE.COM">WWW.WAUSAUTILE.COM</a>			
REVISIONS						DRAWN BY	JPZ	JOB	MATERIAL	CONCRETE
NO.	DATE	BY	NO.	DATE	BY	TITLE		JOB NO.	WEIGHT	190 LBS.
1			4			SCALE 1/8		UNLESS OTHERWISE SPECIFIED DIMENSIONS ARE IN INCHES ANGLES ±0.5° FRACTIONS ± 1/4" 2 PL. ±0.01 3 PL. ±0.005	DATE	12/20/11
2			5						FINISH OPTIONS	B, C, E
3			6						DWG. NO.	TF2001