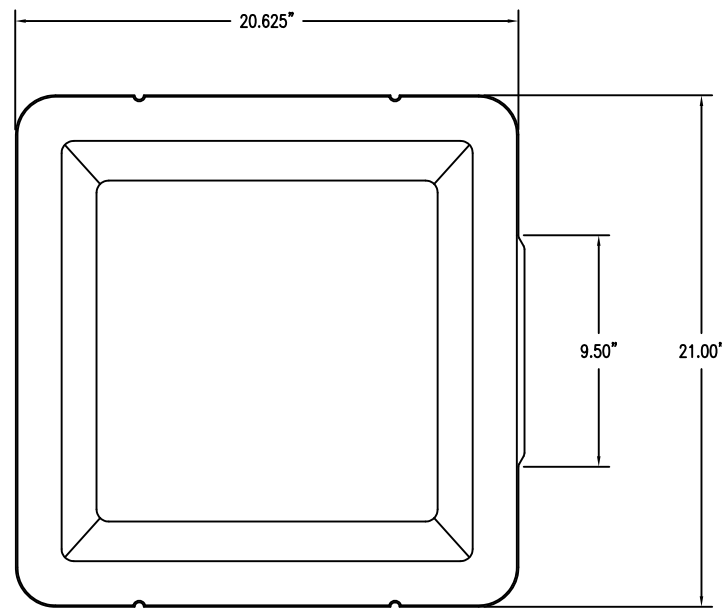
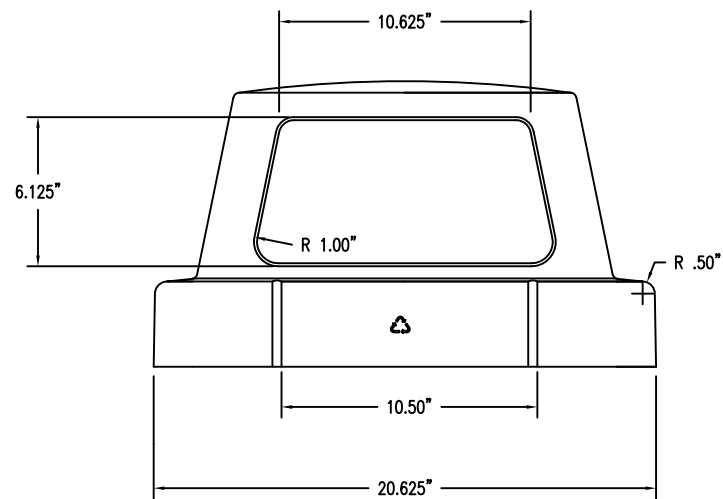


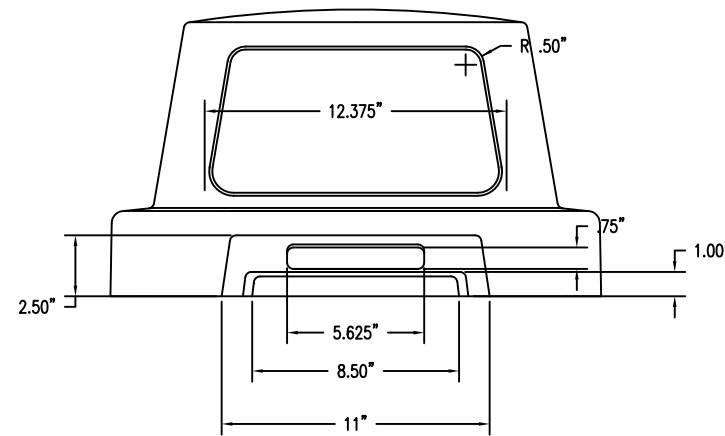
BOTTOM VIEW PLASTIC TOP



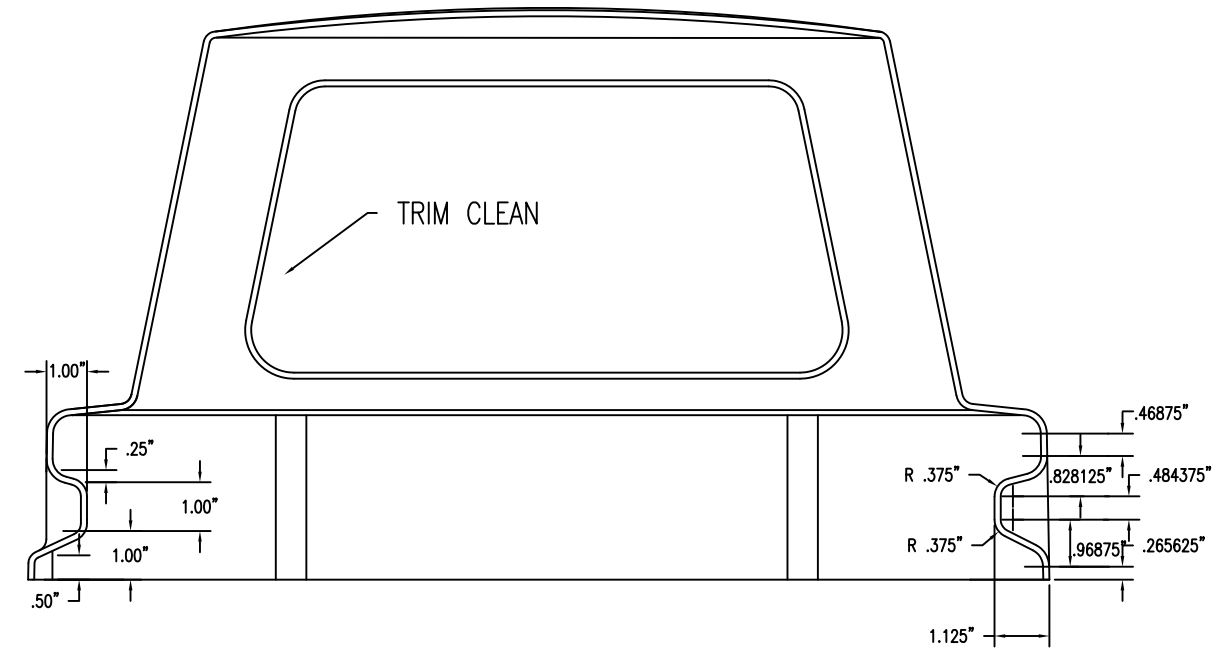
TOP VIEW PLASTIC TOP



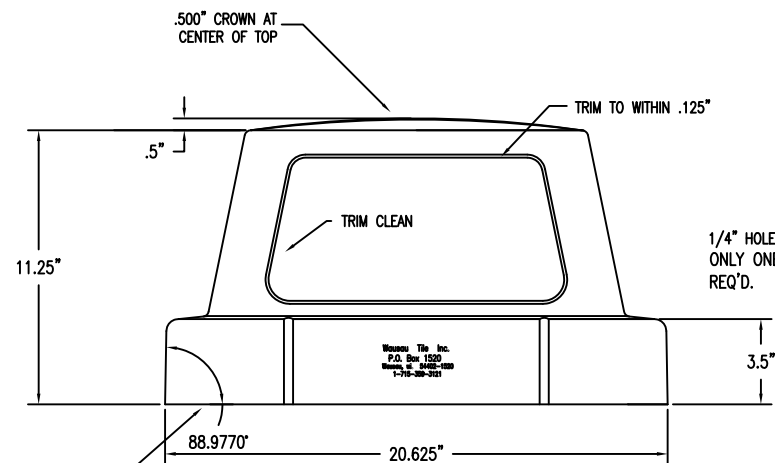
BACK SIDE WITH RECYCLE LOGO



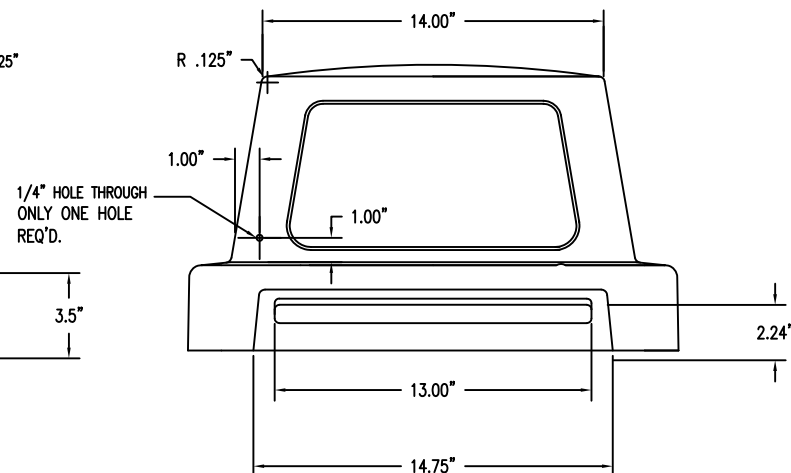
LEFT SIDE VIEW



SECTION DETAIL PLASTIC TOP



FRONT SIDE WITH NAME TAG



RIGHT SIDE VIEW

CONFIDENTIAL INFORMATION

These drawings, specifications and the other information and documents accompanying them are the confidential and proprietary property of Wausau Tile, Inc. The drawings themselves shall belong to the owner for use only on this project. Any additional use shall require the prior written approval of Wausau Tile, Inc. The proprietary information contained within the drawings and the documents is and shall remain the sole property of Wausau Tile, Inc.

WAUSAU TILE						P.O. BOX 1520 WAUSAU, WISCONSIN 54402-1520 715/359-3121 P.O. BOX 967 BANNING, CALIFORNIA 92220 714/849-5695					
REVISIONS						JOB TOP PLASTIC TF1407 W-19			LOCATION WAUSAU, WI.		
NO.	DATE	BY	NO.	DATE	BY	ARCHITECH			DRAWING		
1			4			DRAWN BY R/JH			DATE JUNE 1, 1998		SCALE AS NOTED
2			5			CHKD.			JOB NO.		DRWG. NO.
3			6								

NOTE: ALL DIMENSIONS ARE PIECE PART DIMENSIONS
NO SHRINK IS FIGURED IN.