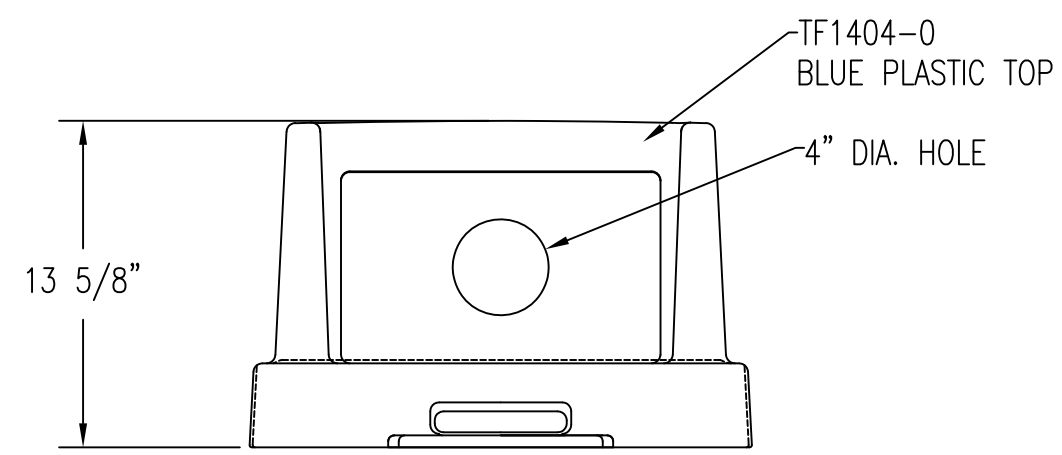
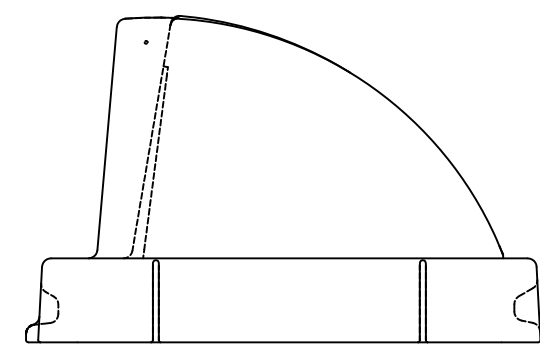


TOP VIEW



ELEVATION VIEW



SIDE VIEW

WAUSAU TILE SITE FURNISHINGS							P.O. BOX 1520 WAUSAU, WISCONSIN 54402-1520 800/388-8728 E-MAIL: WTL@WAUSAUTILE.COM WEB SITE: WWW.WAUSAUTILE.COM		
REVISIONS			DRAWN BY AKG		JOB		MATERIAL PLASTIC		
NO.	DATE	BY	NO.	DATE	BY	JOB NO.	LOCATION		
1	2/5/13	AKG	4				WEIGHT		
2			5			SCALE	UNLESS OTHERWISE SPECIFIED DIMENSIONS ARE IN INCHES ANGLES ±0.5° FRACTIONS ± 1/4" 2 PL. ±0.01 3 PL. ±0.005		
3			6				DATE 2/4/13	FINISH OPTIONS	
								DWG. NO. TF1404	