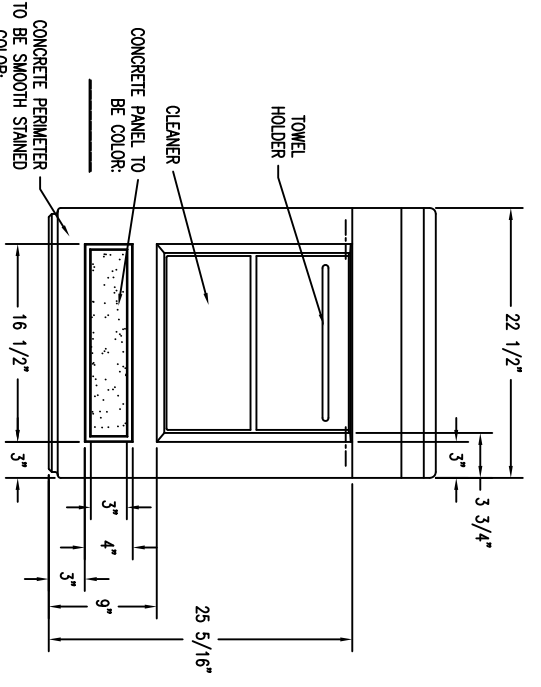
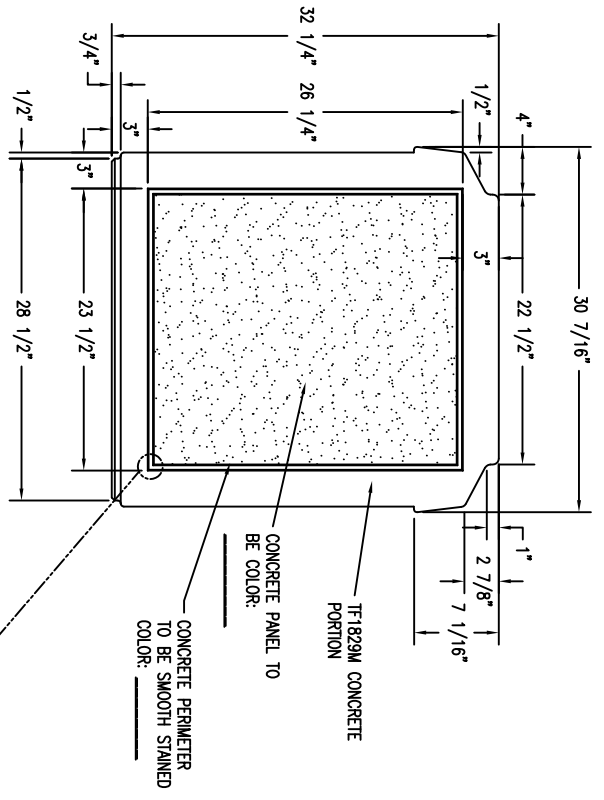


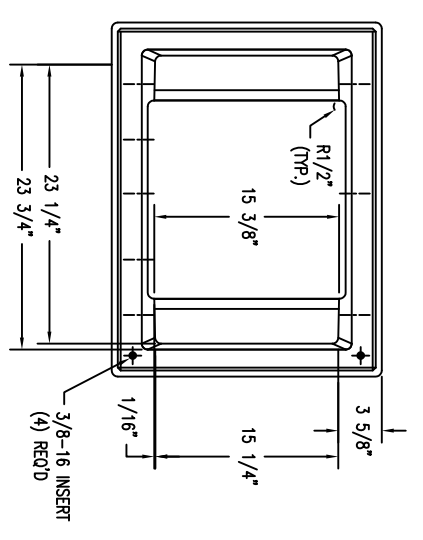
1 TOP VIEW
Scale: 1/8" = 1"



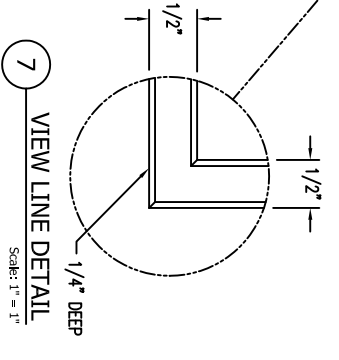
2 FRONT & BACK ELEVATION VIEW
Scale: 1/8" = 1"



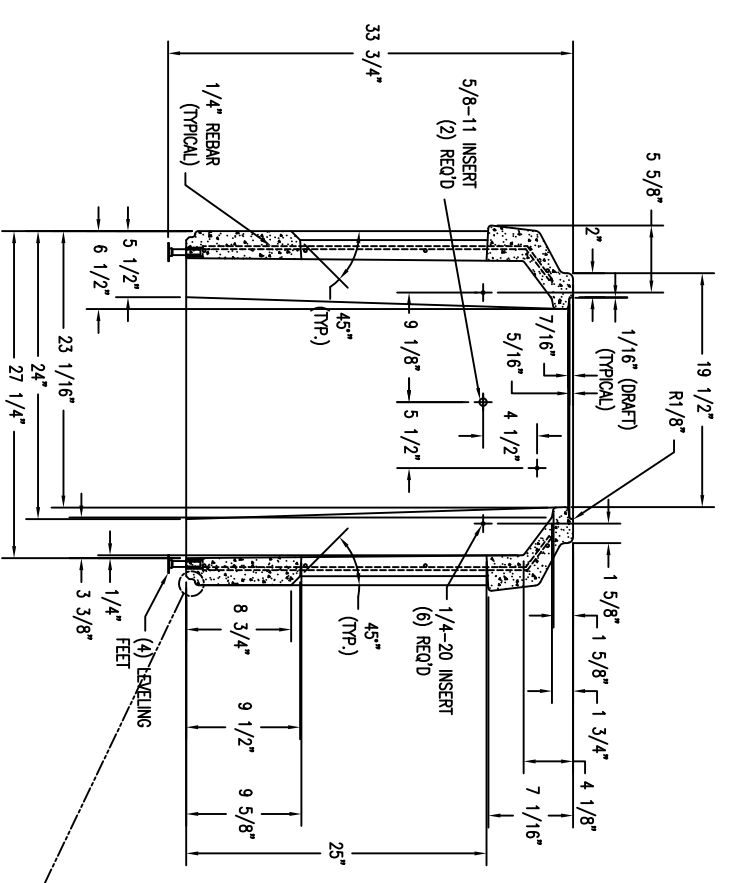
3 SIDE ELEVATION OF TF1829 WASTE CONTAINER
Scale: 1/8" = 1"



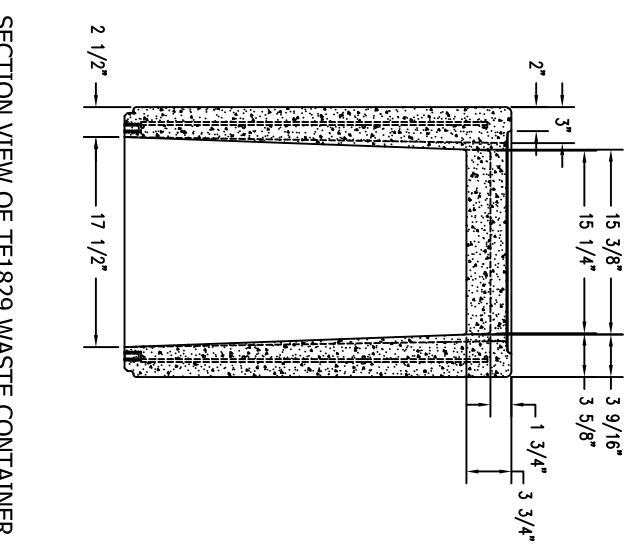
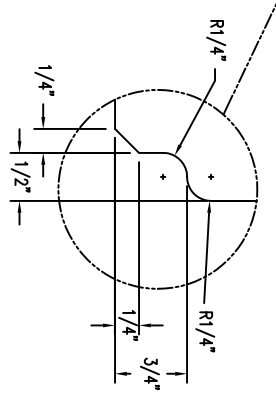
4 BOTTOM VIEW
Scale: 1/8" = 1"



7 VIEW LINE DETAIL
Scale: 1" = 1"



5 SECTION VIEW OF TF1829 WASTE CONTAINER
Scale: 1/8" = 1"



6 SECTION VIEW OF TF1829 WASTE CONTAINER
Scale: 1/8" = 1"

WAUSAU TILE P.O. BOX 1520 WAUSAU, WISCONSIN 54402-1520 800/298-8728 E-MAIL: TILES@WAUSAUTILE.COM WEB SITE: WWW.WAUSAUTILE.COM		DRAWN BY: MJS JOB NO.: LOCATION: MATERIAL: CONCRETE WEIGHT: DATE: 4/14/10 ITEM NO.: TF1242 DWG. NO.: 1 OF 1	
REVISION 1 2 3 4	DESCRIPTION CHANGED HEIGHT 1 2 3 4	DRAWN BY JPZ DATE 8/27/12	FINISH OPTIONS AS NOTED