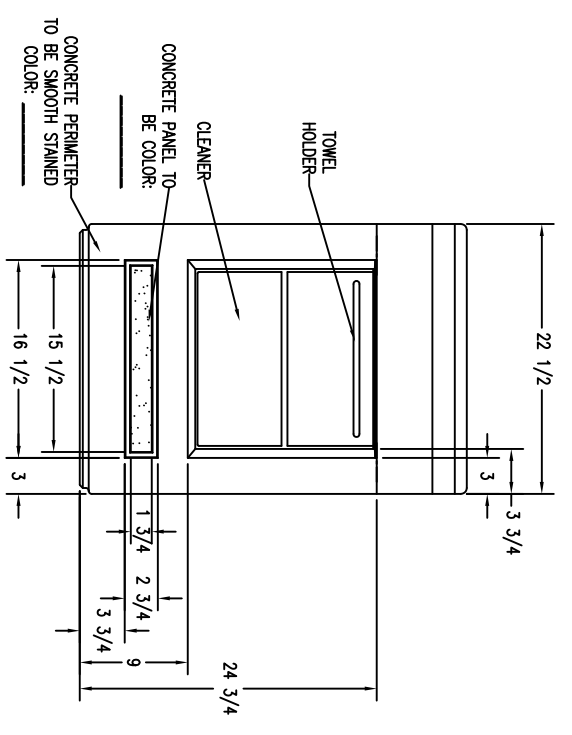
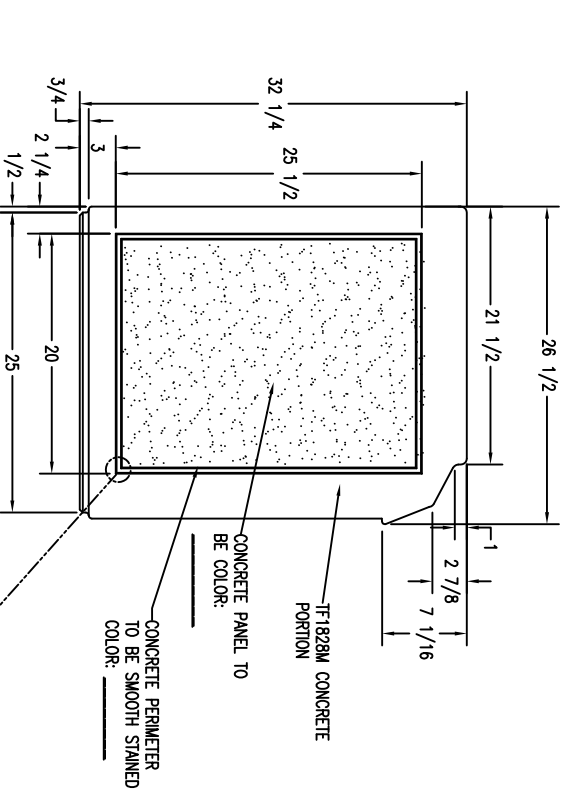


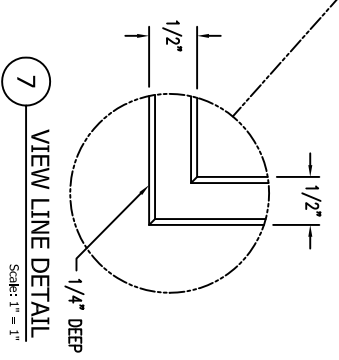
1 TOP VIEW  
Scale: 1/8" = 1"



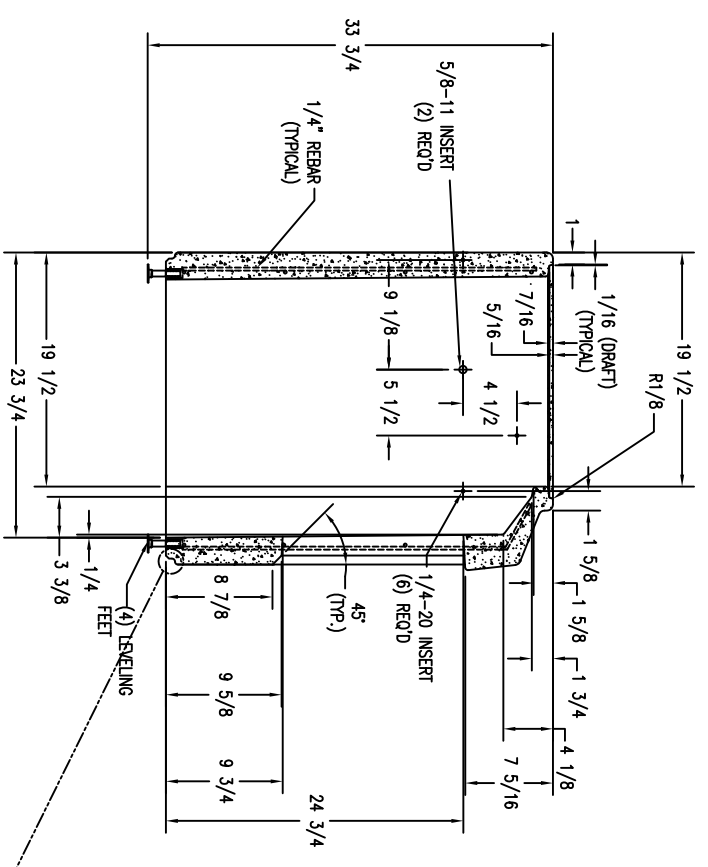
2 FRONT ELEVATION VIEW  
Scale: 1/8" = 1"



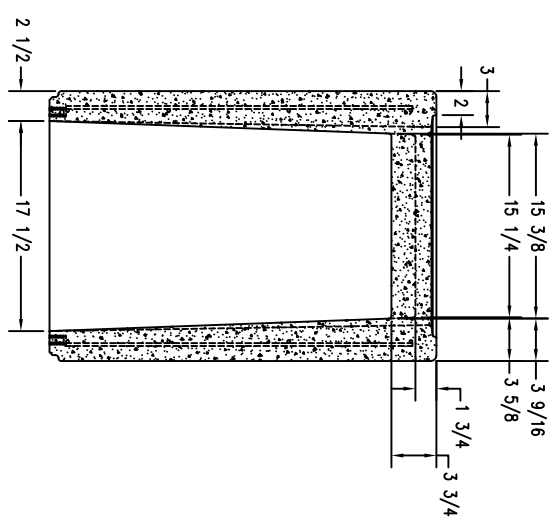
3 SIDE ELEVATION OF TF1828 WASTE CONTAINER  
Scale: 1/8" = 1"



7 VIEW LINE DETAIL  
Scale: 1" = 1"



5 SECTION VIEW OF TF1828 WASTE CONTAINER  
Scale: 1/8" = 1"



6 SECTION VIEW OF TF1828 WASTE CONTAINER  
Scale: 1/8" = 1"

<b>WAUSAU TILE</b> P.O. BOX 1520 WAUSAU, WISCONSIN 54982-1520 800/298-8728 E-MAIL: TILES@WAUSAUTILE.COM WEB SITE: WWW.WAUSAUTILE.COM		DRAWN BY: MJS JOB NO.: JOB LOCATION: MATERIAL: CONCRETE WEIGHT: DATE: 4/14/10 ITEM NO.: TF1241 DWG. NO.: 1 OF 1	
REVISION	DESCRIPTION	DRAWN BY	DATE
1	CHANGED HEIGHT	JFZ	8/27/12
2			
3			
4			