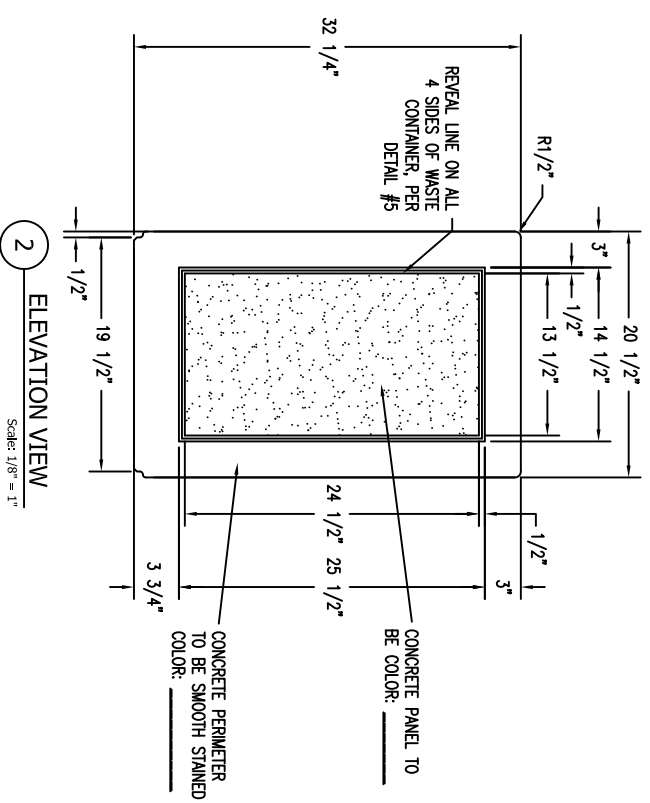
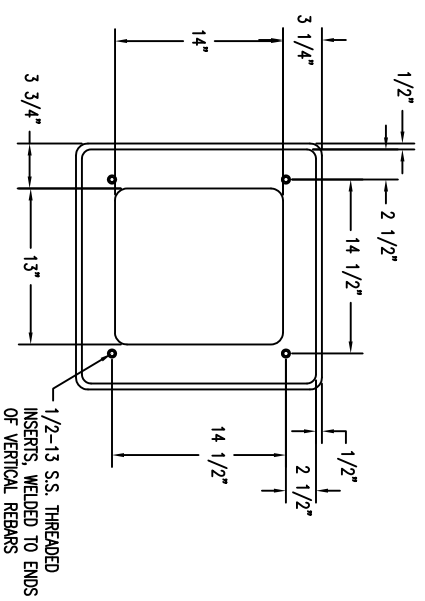


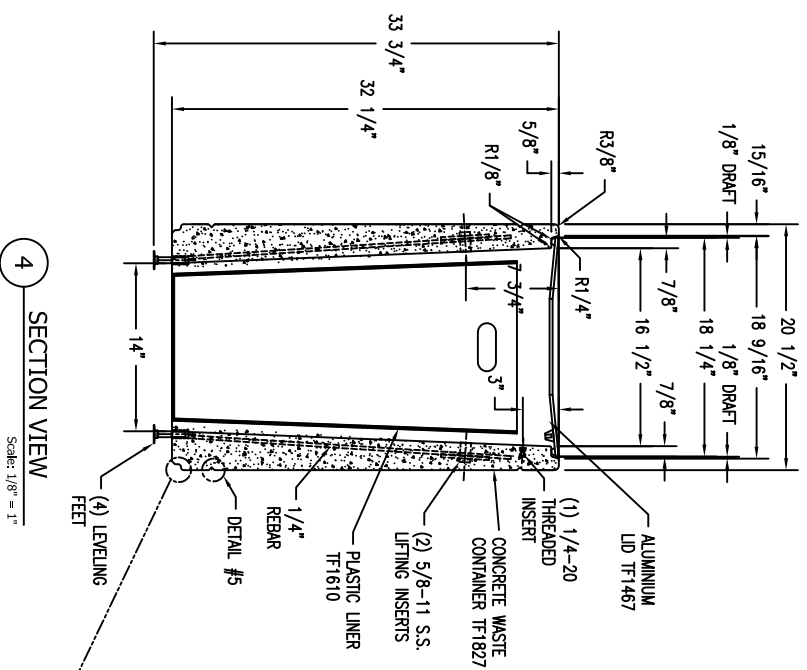
1 TOP VIEW OF CONCRETE ONLY
Scale: 1/8" = 1"



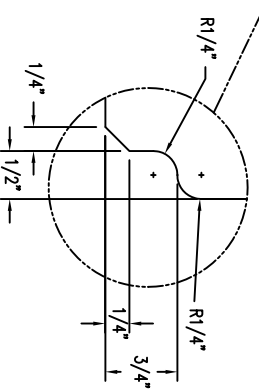
2 ELEVATION VIEW
Scale: 1/8" = 1"



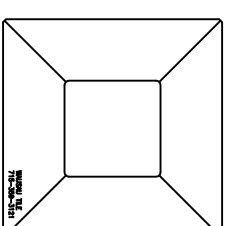
3 BOTTOM VIEW
Scale: 1/8" = 1"



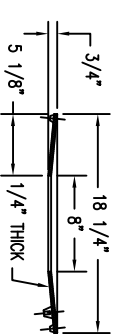
4 SECTION VIEW
Scale: 1/8" = 1"



5 ENLARGED DETAIL OF REVEAL
Scale: 1" = 1"



6 TOP VIEW OF TF1467 ALUM. LID
Scale: 1/8" = 1"



7 SECTION VIEW OF TF1467 ALUM. LID
Scale: 1/8" = 1"

REVISION	DESCRIPTION	DRAWN BY	DATE
1	CHANGED HEIGHT	JPZ	8/22/12
2			
3			
4			

WAUSAU TILE		P.O. BOX 1520 WAUSAU, WISCONSIN 54982-1520 800/298-8728	
DRAWN BY: MAS		E-MAIL: TITELMUN@WAUSAUTILE.COM	
JOB NO.:		WEB SITE: WWW.WAUSAUTILE.COM	
SCALE: AS NOTED		JOB: LOCATION:	
UNLESS OTHERWISE SPECIFIED DIMENSIONS ARE IN INCHES TOLERANCES ±1/8"		DATE: 11/16/07	
FIRST OPTIONS		ITEM NO. TF1240	
		DWG. NO. 1 OF 1	
		MATERIAL: CONCRETE	
		WEIGHT: 500 LBS	