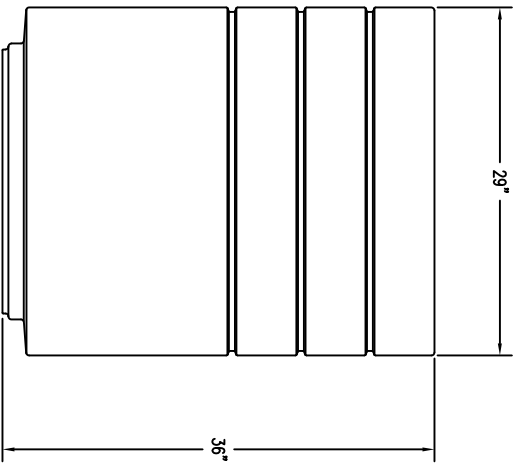
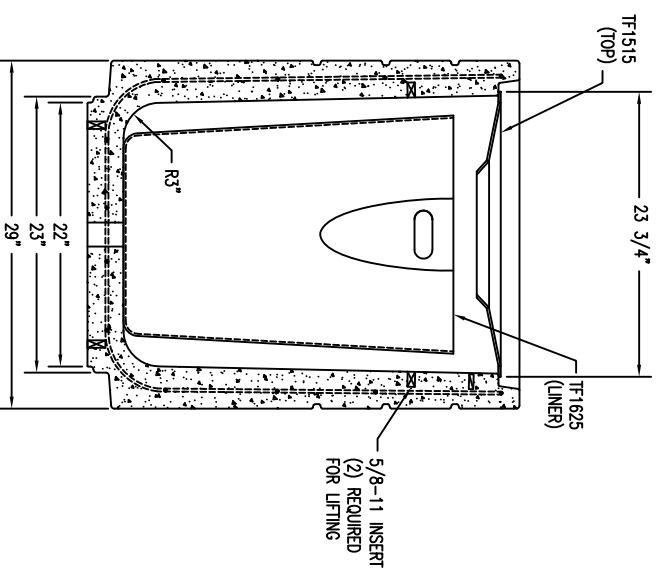


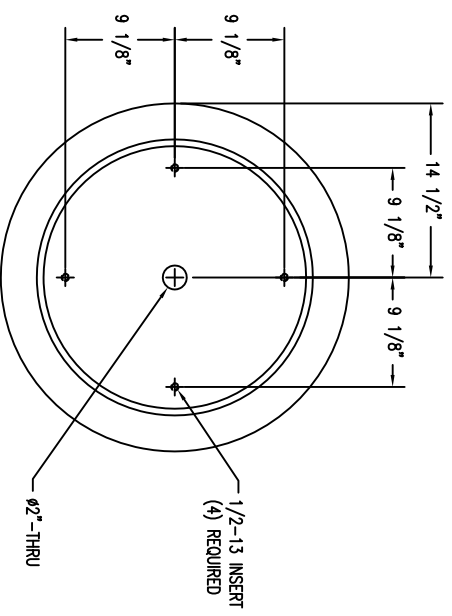
1 PLAN VIEW
Scale: 1 1/2" = 1'-0"



2 SIDE ELEVATION
Scale: 1 1/2" = 1'-0"



3 SECTION
Scale: 1 1/2" = 1'-0"



4 BOTTOM VIEW
Scale: 1 1/2" = 1'-0"

WAUSAU TILE SITE FURNISHINGS

P.O. BOX 1520 WAUSAU, WISCONSIN 54982-0520 800/728-0728
P.O. BOX 897 WAUSAU, WISCONSIN 54982-0897

REVISIONS						DRAWN BY		JOB		MATERIAL	
NO.	DATE	BY	NO.	DATE	BY	TITLE	NO.	DATE	NO.	WEIGHT	
1			4			SCALE			UNLESS OTHERWISE SPECIFIED DIMENSIONS ARE IN INCHES 2 IN. 5/16 IN. 3 IN. 1/4 IN.	910 LBS.	
2			5								B, C, E
3			6								TF1224

JOB		DATE		FINISH OPTIONS	
NO.	DATE	BY	NO.	DATE	FINISH OPTIONS
1			4		B, C, E
2			5	12/06/07	B, C, E
3			6		TF1224