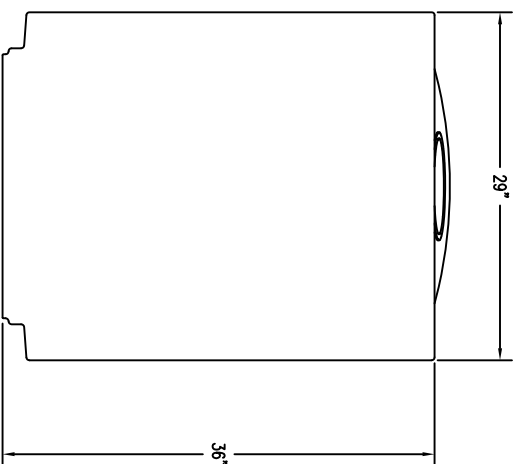
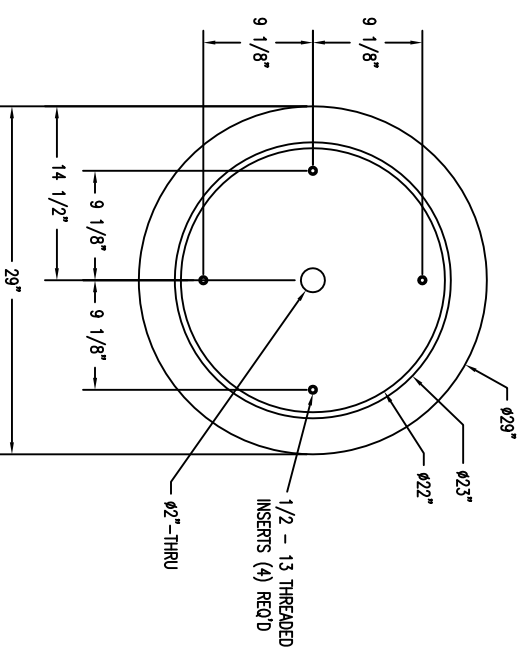


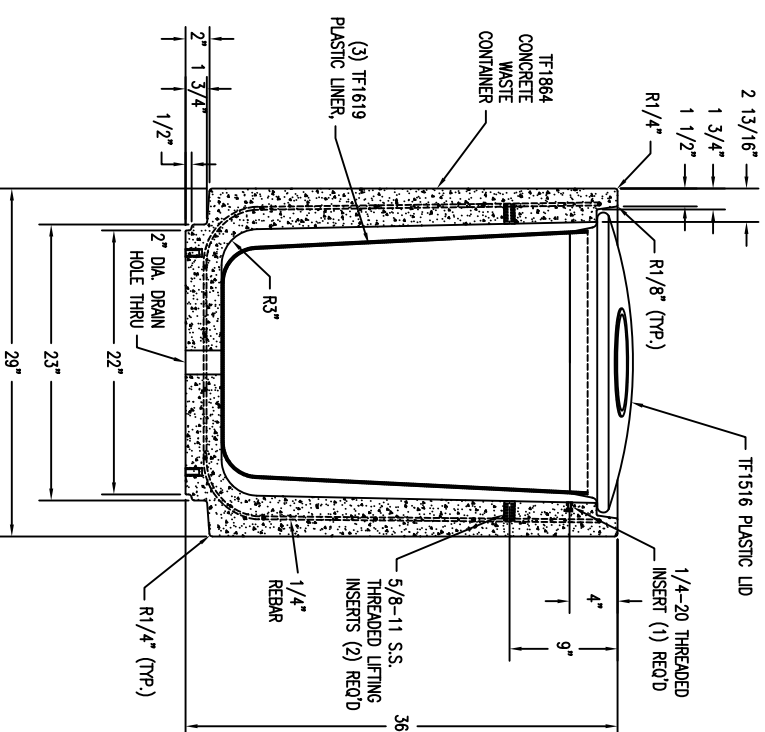
1 TOP VIEW
Scale: 1/8" = 1"



2 ELEVATION VIEW
Scale: 1/8" = 1"



3 BOTTOM VIEW
Scale: 1/8" = 1"



4 SECTION VIEW
Scale: 1/8" = 1"

WAUSAU TILE SITE FURNISHINGS

P.O. BOX 1520 WAUSAU, WISCONSIN 54402-1520 800/298-8728
E-MAIL: TIFURNISH@WIATL.COM
WEB SITE: WWW.WAUSAUTILE.COM

REVISIONS						DRAWN BY		JOB		MATERIAL	
NO.	DATE	BY	NO.	DATE	BY	JOB NO.	LOCATION	WEIGHT	ITEM NO.	DATE	DWG. NO.
1			4			AS NOTED		910 LBS	TF1221	11/8/10	1 OF 1
2			5			UNLESS OTHERWISE SPECIFIED DIMENSIONS ARE IN INCHES TOLERANCES ± 1/8"					
3			6			FINISH OPTIONS					