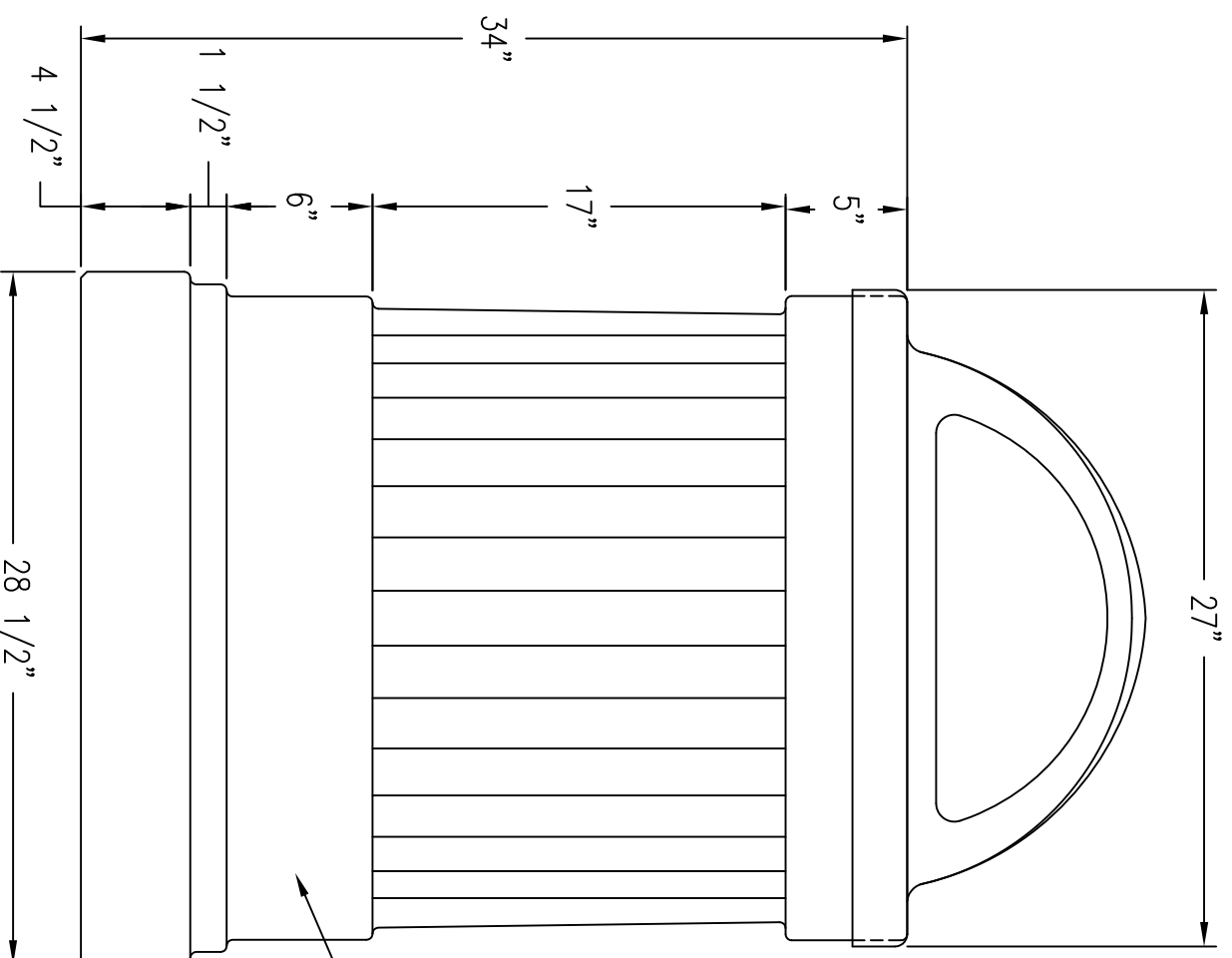
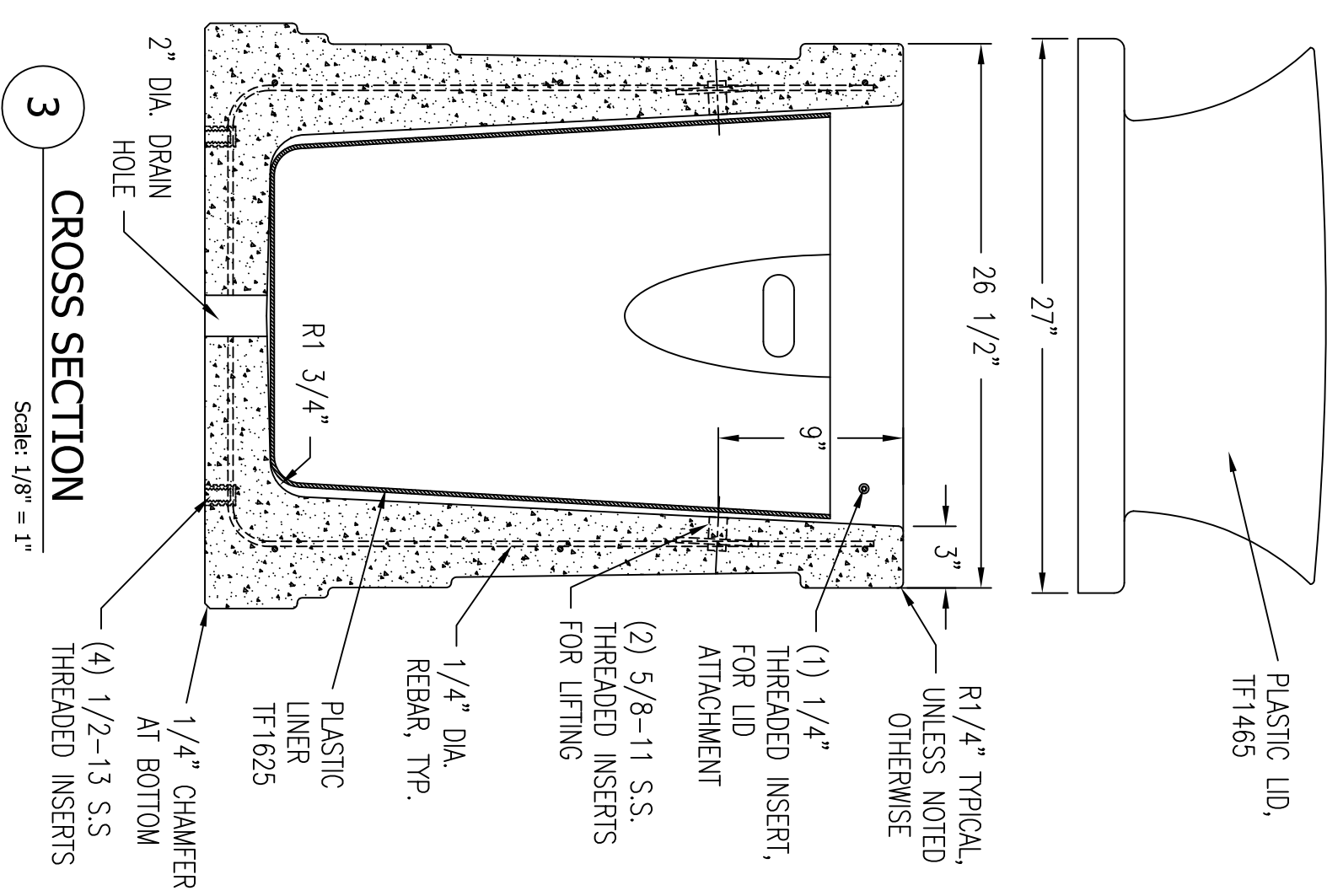


**2** TOP VIEW OF CONCRETE  
Scale: 1/8" = 1"



**1** ELEVATION VIEW  
Scale: 1/8" = 1"

CONCRETE  
WASTE  
CONTAINER  
#TF1861



**3** CROSS SECTION  
Scale: 1/8" = 1"

**WAUSAU TILE SITE FURNISHINGS**

P.O. BOX 1520 WAUSAU, WISCONSIN 54402-1520 800/388-8728  
P.O. BOX 967 BANNING, CALIFORNIA 92220 877/849-5696

REVISIONS						DRAWN BY		JOB	
NO.	DATE	BY	NO.	DATE	BY	P.A.W.		LOCATION	
1			4			AS NOTED		UNLESS OTHERWISE SPECIFIED DIMENSIONS ARE IN INCHES TOLERANCES: ±1/8"	
2			5			SCALE		DATE	ITEM NO.
3			6			FINISH OPTIONS		9/30/10	TF1191
						MATERIAL		DWG. NO.	
						CONCRETE		740 LBS	
						WEIGHT		1 OF 1	