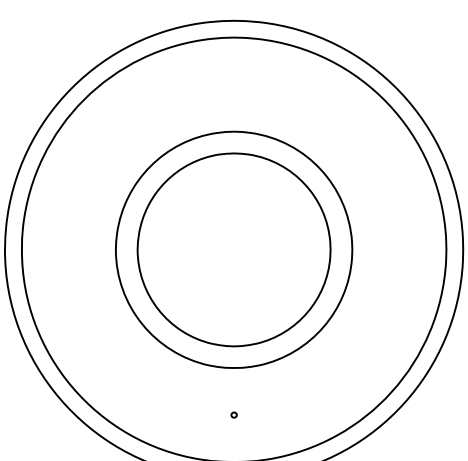
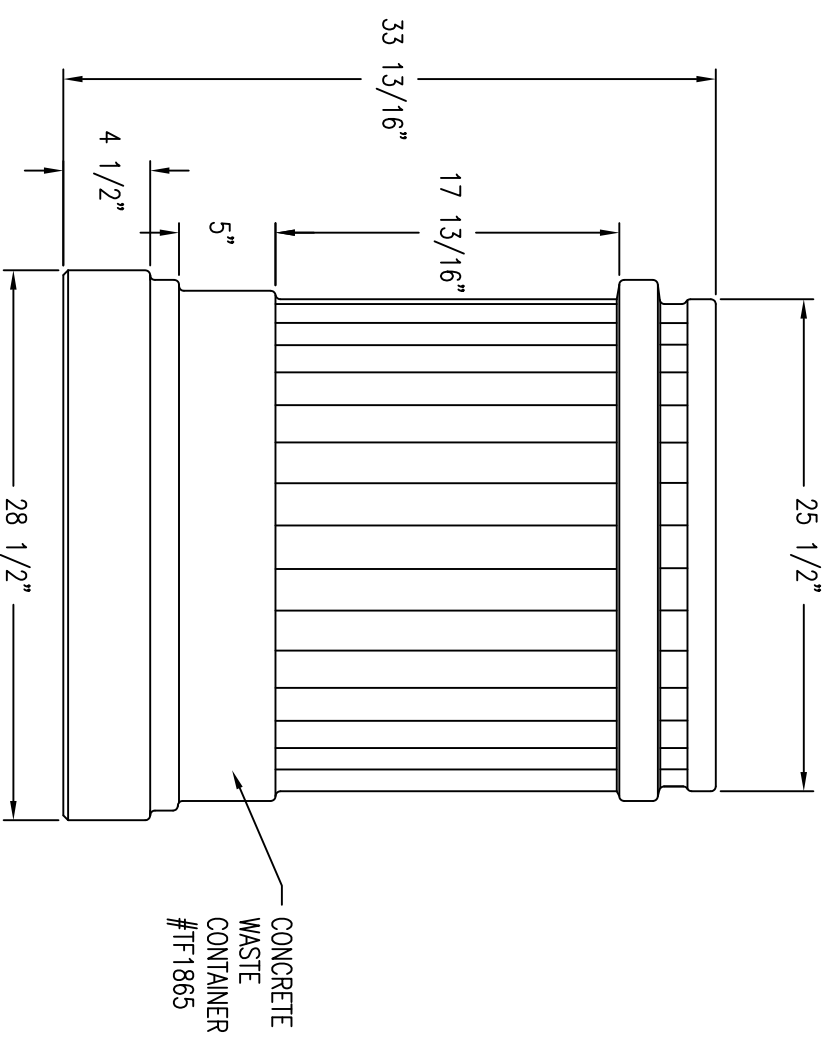


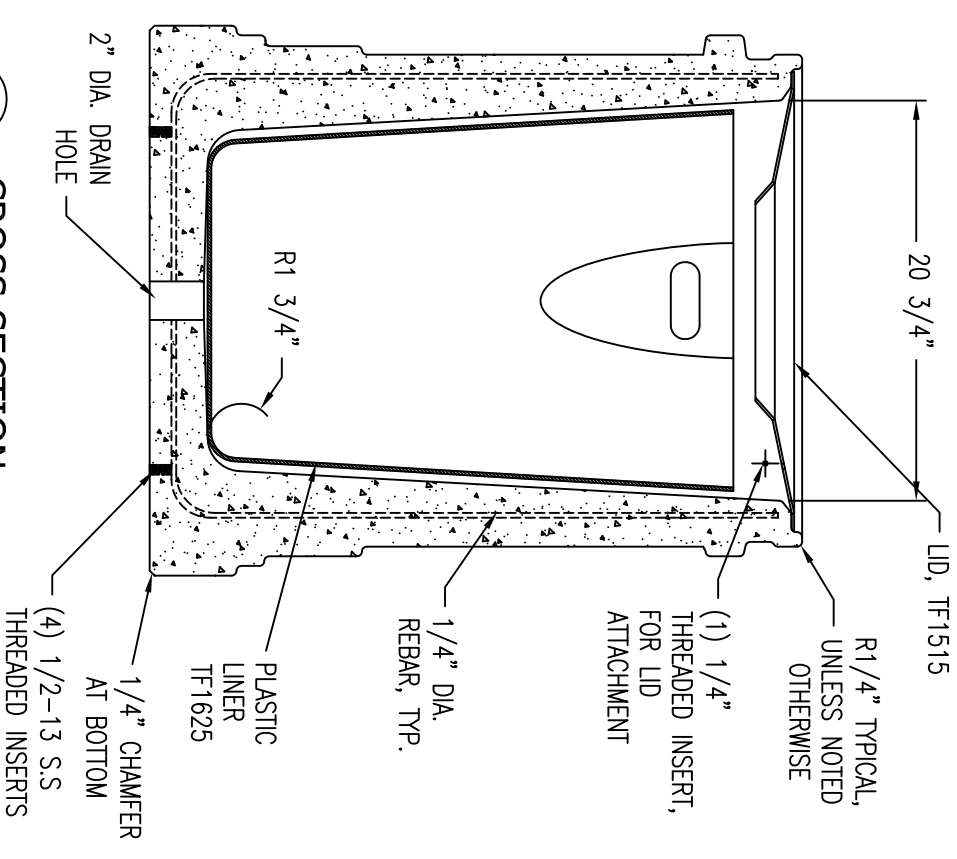
1 TOP VIEW OF CONCRETE AND LID
Scale: 1/8" = 1"



4 TOP VIEW OF LID
Scale: 1/8" = 1"



2 ELEVATION VIEW
Scale: 1/8" = 1"



3 CROSS SECTION
Scale: 1/8" = 1"

WAUSAU TILE SITE FURNISHINGS						JOB		MATERIAL	
REVISIONS						DRAWN BY JPZ			
NO.	DATE	BY	NO.	DATE	BY	TITLE	JOB NO.	WEIGHT	
1			4			SCALE			
2			5			UNLESS OTHERWISE SPECIFIED DIMENSIONS ARE IN INCHES			
3			6			CHECKED	2 R. 4/06	3 R. 4/06	TF1190