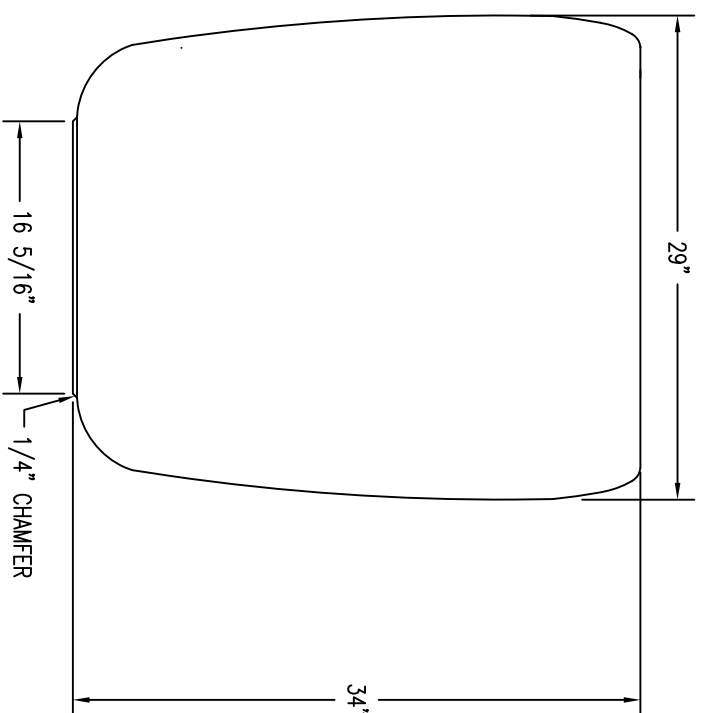
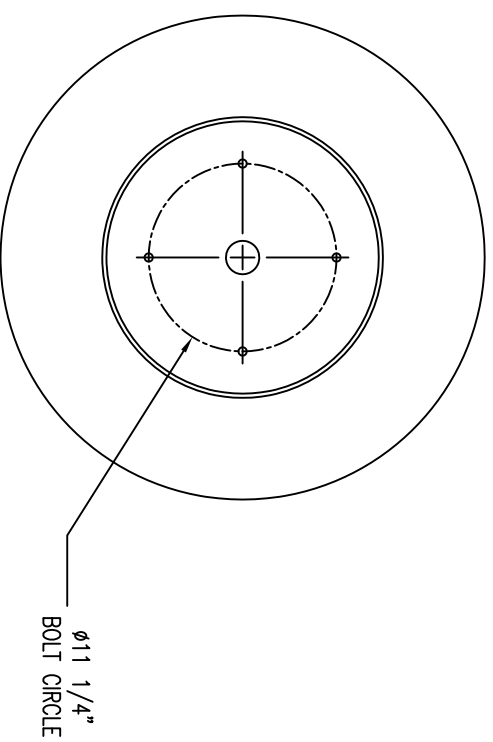


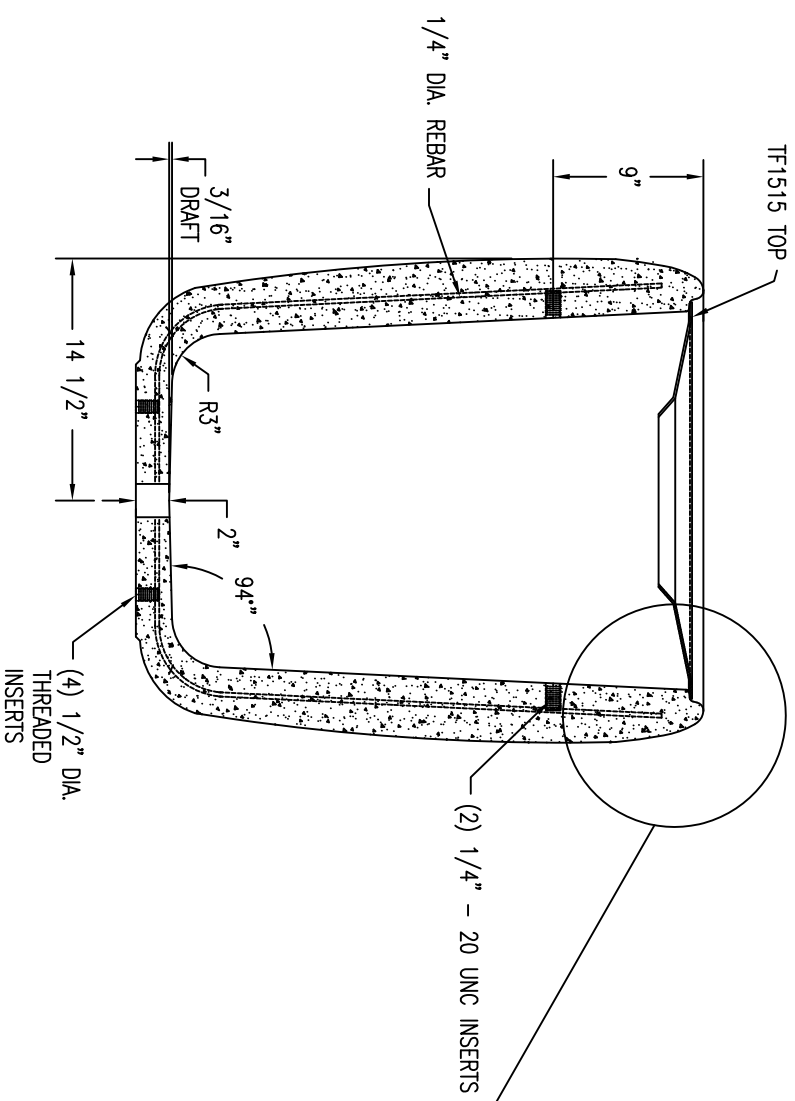
1 TOP VIEW
Scale: 1" = 1'



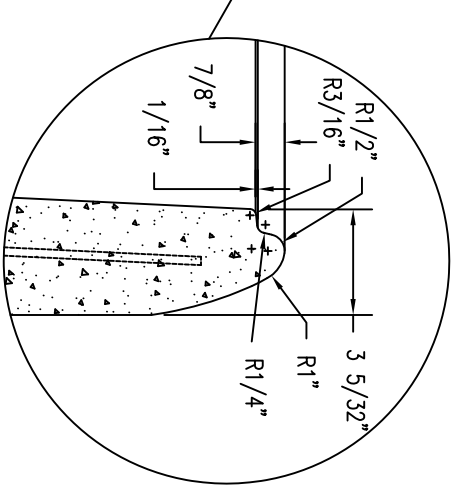
2 FRONT VIEW
Scale: 1" = 1'



3 BOTTOM VIEW
Scale: 1" = 1'



4 CROSS SECTION
Scale: 1" = 1'



5 WASTE CONTAINER EDGE DETAIL
Scale: N.T.S.

USE LINER TF1625

WAUSAU TILE SITE FURNISHINGS

P.O. BOX 1520 WAUSAU, WISCONSIN 54402-1520 800/388-8728
E-MAIL: WTL@WAUSAUTILE.COM
WEB SITE: WWW.WAUSAUTILE.COM

REVISIONS				DRAWN BY		JOB		MATERIAL	
NO.	DATE	BY	NO.	DATE	BY	TITLE	JOB NO.	WEIGHT	CONCRETE
1			4			AS NOTED		720 LBS.	
2			5						
3			6						

UNLESS OTHERWISE SPECIFIED DIMENSIONS ARE IN INCHES ANGLES ±0.5° FRACTIONS ± 1/64" 2 PL. ±0.01 3 PL. ±0.005		DATE	FINISH OPTIONS
		12/15/11	
PAGE	1 OF 1	DWG. NO.	TF1188